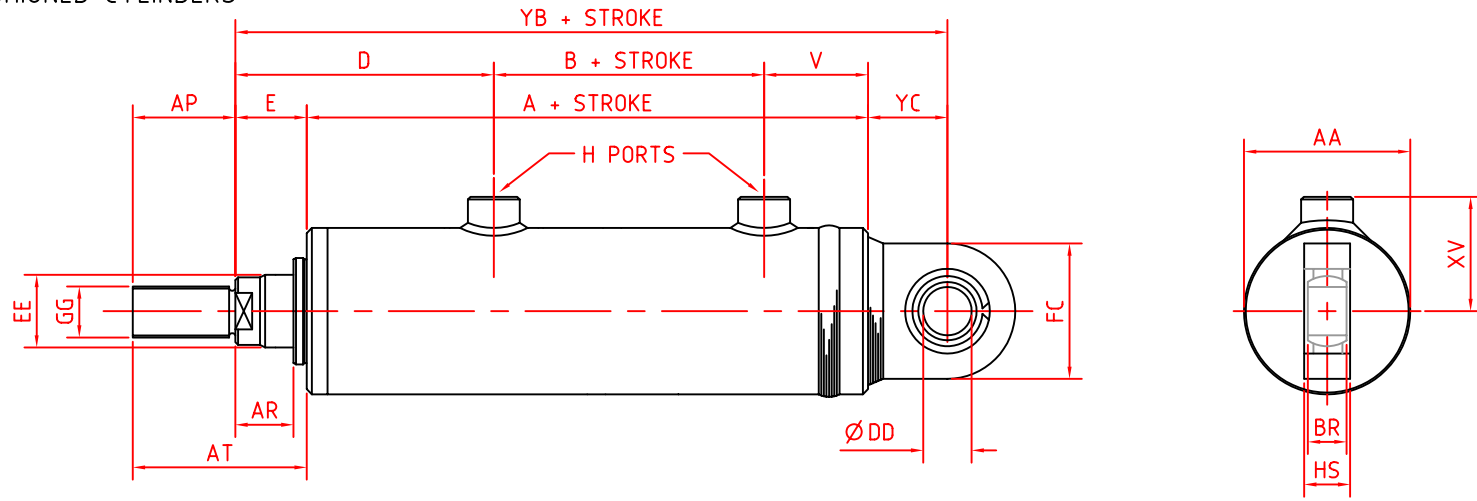


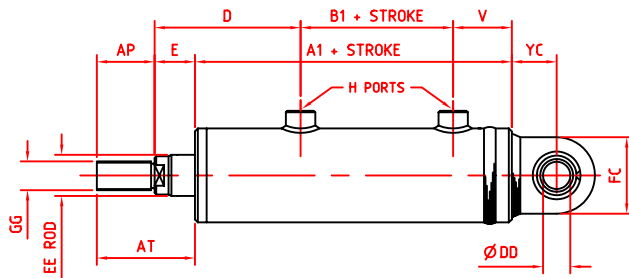
HR & HSH NON-CUSHIONED CYLINDERS

HR SHOWN

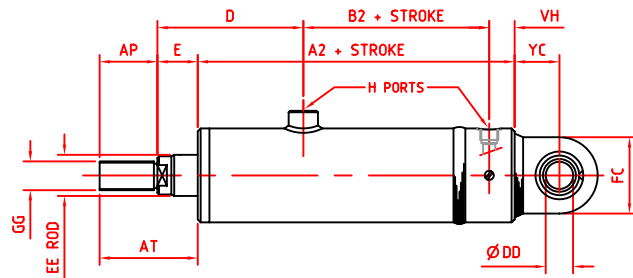


CYLINDER SIZE	EE ROD	GG THREAD	A	B	E	D	AP	V	AT	H BSPP	AA	XV	AR MIN	DD	HS	BR	YB	YC	FC	CYLINDER SIZE
HR/HSH 15 1.50" BORE	0.875 22.22	3/4" - 16UN	5.00 127.00	1.50 38.10	0.875 22.22	3.125 79.37	1.125 28.57	1.25 31.75	2.00 50.80	3/8"	2.00 50.80	1.75 44.45	0.50 12.70	20mm	0.748 19.00	0.630 16.00	7.371 187.22	1.496 38.00	1.969 50.00	HR/HSH 15 1.50" BORE
HR/HSH 20 2.00" BORE	1.00 25.40	3/4" - 16UN	4.875 123.82	1.875 47.62	0.875 22.22	2.75 69.85	1.125 28.57	1.125 28.57	2.00 50.80	3/8"	2.50 63.50	2.00 50.80	0.50 12.70	20mm	0.748 19.00	0.630 16.00	7.246 184.05	1.496 38.00	1.969 50.00	HR/HSH 20 2.00" BORE
HR/HSH 25 2.50" BORE	1.375 34.92	1" - 14UN	5.375 136.52	2.125 53.98	1.125 28.58	3.125 79.37	1.625 41.28	1.25 31.75	2.75 69.85	1/2"	3.00 76.20	2.25 57.15	0.75 19.05	25mm	0.906 23.00	0.787 20.00	8.272 210.10	1.772 45.00	2.165 55.00	HR/HSH 25 2.50" BORE
HR/HSH 30 3.00" BORE	1.75 44.45	1 1/4" - 12UN	6.625 168.27	2.50 63.50	1.25 31.75	4.00 101.60	2.00 50.80	1.375 34.92	3.25 82.55	1/2"	3.50 88.90	2.375 60.33	0.875 22.22	30mm	1.102 28.00	0.866 22.00	9.883 251.02	2.008 51.00	2.559 65.00	HR/HSH 30 3.00" BORE
HR/HSH 35 3.50" BORE	1.75 44.45	1 1/4" - 12UN	7.00 177.80	2.50 63.50	1.25 31.75	4.00 101.60	2.00 50.80	1.75 44.45	3.25 82.55	3/4"	4.00 101.60	2.875 73.03	0.875 22.22	30mm	1.102 28.00	0.866 22.00	10.258 260.55	2.008 51.00	2.559 65.00	HR/HSH 35 3.50" BORE
HR/HSH 40 4.00" BORE	2.00 50.80	1 1/2" - 12UN	7.625 193.67	2.625 66.68	1.375 34.92	4.50 114.30	2.25 57.15	1.875 47.63	3.625 92.08	3/4"	4.50 114.30	3.25 82.55	0.875 22.22	35mm	1.181 30.00	0.984 25.00	11.402 289.61	2.402 61.00	3.268 83.00	HR/HSH 40 4.00" BORE
HR/HSH 45 4.50" BORE	2.00 50.80	1 1/2" - 12UN	8.375 212.72	3.00 76.20	1.375 34.92	4.50 114.30	2.25 57.15	2.25 57.15	3.625 92.08	3/4"	5.125 130.18	3.50 88.90	0.875 22.22	35mm	1.181 30.00	0.984 25.00	12.152 308.65	2.402 61.00	3.268 83.00	HR/HSH 45 4.50" BORE
HR/HSH 50 5.00" BORE	2.50 63.50	1 3/8" - 12UN	8.625 219.08	3.00 76.20	1.50 38.10	4.875 123.83	3.00 76.20	2.25 57.15	4.50 114.30	1"	5.625 142.88	3.875 98.43	1.00 25.40	40mm	1.378 35.00	1.102 28.00	12.842 326.18	2.717 69.00	3.937 100.00	HR/HSH 50 5.00" BORE
HR/HSH 55 5.50" BORE	2.50 63.50	1 3/8" - 12UN	9.375 238.13	3.625 92.08	1.50 38.10	5.00 127.00	3.00 76.20	2.25 57.15	4.50 114.30	1"	6.125 155.58	4.25 107.95	1.00 25.40	40mm	1.378 35.00	1.102 28.00	13.592 345.23	2.717 69.00	3.937 100.00	HR/HSH 55 5.50" BORE
HR/HSH 60 6.00" BORE	3.00 76.20	2 1/4" - 12UN	10.00 254.00	3.875 98.43	1.50 38.10	5.125 130.18	3.50 88.90	2.50 63.50	5.00 127.00	1"	6.625 168.28	4.50 114.30	1.00 25.40	50mm	1.575 40.00	1.378 35.00	14.965 380.10	3.465 88.00	4.843 123.00	HR/HSH 60 6.00" BORE
HR/HSH 65 6.50" BORE	3.00 76.20	2 1/4" - 12UN	10.25 260.35	4.00 101.60	1.50 38.10	5.25 133.25	3.50 88.90	2.50 63.50	5.00 127.00	1"	7.25 184.15	4.75 120.65	1.00 25.40	50mm	1.575 40.00	1.378 35.00	15.215 384.46	3.465 88.00	4.843 123.00	HR/HSH 65 6.50" BORE
HR/HSH 70 7.00" BORE	3.50 88.90	2 1/2" - 12UN	11.75 298.45	4.50 114.30	1.50 38.10	6.00 152.40	3.50 88.90	2.75 69.85	5.00 127.00	1 1/4"	7.75 196.85	5.25 133.35	1.00 25.40	60mm	1.969 50.00	1.732 44.00	17.187 436.55	3.937 100.00	5.512 140.00	HR/HSH 70 7.00" BORE
HR/HSH 75 7.50" BORE	3.50 88.90	2 1/2" - 12UN	12.25 311.15	4.25 107.95	1.50 38.10	6.50 165.10	3.50 88.90	3.00 76.20	5.00 127.00	1 1/4"	8.50 215.90	5.50 139.70	1.00 25.40	60mm	1.969 50.00	1.732 44.00	17.687 449.25	3.937 100.00	5.512 140.00	HR/HSH 75 7.50" BORE
HR/HSH 80 8.00" BORE	4.00 101.60	3" - 12UN	13.25 336.55	5.00 127.00	1.50 38.10	6.50 165.10	4.00 101.60	3.25 82.55	5.50 139.70	1 1/4"	9.00 228.60	6.00 152.40	1.00 25.40	80mm	2.362 60.00	2.165 55.00	20.301 515.65	5.551 141.00	7.087 180.00	HR/HSH 80 8.00" BORE
HR/HSH 90 9.00" BORE	4.50 114.30	3" - 12UN	14.875 377.83	6.00 152.40	1.50 38.10	7.00 177.80	4.00 101.60	3.375 85.73	5.50 139.70	1 1/4"	10.00 254.00	6.50 165.10	1.00 25.40	90mm	2.559 65.00	2.362 60.00	22.281 565.93	5.906 150.00	8.898 226.00	HR/HSH 90 9.00" BORE
HR/HSH 100 10.00" BORE	5.00 127.00	3 3/4" - 12UN	15.625 396.88	6.125 155.58	1.50 38.10	7.50 190.50	4.375 111.13	3.50 88.90	5.875 149.22	1 1/4"	11.00 279.40	7.00 177.80	1.00 25.40	100mm	2.756 70.00	2.756 70.00	23.818 604.98	6.693 170.00	9.843 250.00	HR/HSH 100 10.00" BORE

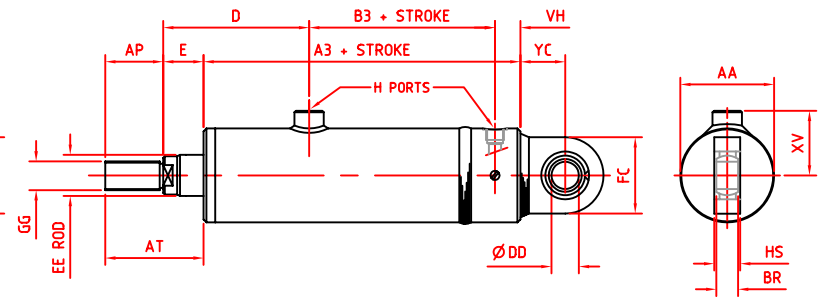
CUSHION FRONT CF



CUSHION REAR CR



CUSHION FRONT & REAR CF/CR



CYLINDER SIZE	EE ROD	GG THREAD	A1	A2	A3	B1	B2	B3	E	D	AP	V	VH	AT	H BSPP	AA	XV	DD	HS	BR	YC	FC
HR/SHS 15 1.50" BORE	0.875 22.22	3/4" - 16UN	5.875 149.23	6.375 161.93	7.25 184.15	2.375 60.33	3.375 85.73	4.25 107.95	0.875 22.22	3.125 79.37	1.125 28.57	1.25 31.75	0.75 19.05	2.00 50.80	3/8"	2.00 50.80	1.75 44.45	20mm	0.748 19.00	0.630 16.00	1.496 38.00	1.969 50.00
HR/SHS 20 2.00" BORE	1.00 25.40	3/4" - 16UN	5.875 149.23	6.375 161.93	7.375 187.33	2.875 73.03	3.75 95.25	4.75 120.65	0.875 22.22	2.75 69.85	1.125 28.57	1.125 28.57	0.75 19.05	2.00 50.80	3/8"	2.50 63.50	2.00 50.80	20mm	0.748 19.00	0.630 16.00	1.496 38.00	1.969 50.00
HR/SHS 25 2.50" BORE	1.375 34.92	1" - 14UN	6.375 161.93	6.875 174.63	7.875 200.03	3.125 79.38	4.00 101.60	5.00 127.00	1.125 28.58	3.125 79.37	1.625 41.28	1.25 31.75	0.875 22.22	2.75 69.85	1/2"	3.00 76.20	2.25 57.15	25mm	0.906 23.00	0.787 20.00	1.772 45.00	2.165 55.00
HR/SHS 30 3.00" BORE	1.75 44.45	1 1/4" - 12UN	8.125 206.38	8.125 206.38	9.625 244.48	4.00 101.60	4.50 114.30	6.00 152.40	1.25 31.75	4.00 101.60	2.00 50.80	1.375 34.92	0.875 22.22	3.25 82.55	1/2"	3.50 88.90	2.375 60.33	30mm	1.102 28.00	0.866 22.00	2.008 51.00	2.559 65.00
HR/SHS 35 3.50" BORE	1.75 44.45	1 1/4" - 12UN	8.625 219.08	8.375 212.73	10.00 254.00	4.125 104.78	4.75 120.65	6.375 161.93	1.25 31.75	4.00 101.60	2.00 50.80	1.75 44.45	0.875 22.22	3.25 82.55	3/4"	4.00 101.60	2.875 73.03	30mm	1.102 28.00	0.866 22.00	2.008 51.00	2.559 65.00
HR/SHS 40 4.00" BORE	2.00 50.80	1 1/2" - 12UN	9.375 238.13	8.875 225.43	10.625 269.88	4.375 111.13	4.875 138.83	6.625 168.28	1.375 34.92	4.50 114.30	2.25 57.15	1.875 47.63	0.875 22.22	3.625 92.08	3/4"	4.50 114.30	3.25 82.55	35mm	1.181 30.00	0.984 25.00	2.402 61.00	3.268 83.00
HR/SHS 45 4.50" BORE	2.00 50.80	1 1/2" - 12UN	10.125 257.18	9.625 244.48	11.375 288.93	4.75 120.65	5.625 142.88	7.375 187.33	1.375 34.92	4.50 114.30	2.25 57.15	2.25 57.15	0.875 22.22	3.625 92.08	3/4"	5.125 130.18	3.50 88.90	35mm	1.181 30.00	0.984 25.00	2.402 61.00	3.268 83.00
HR/SHS 50 5.00" BORE	2.50 63.50	1 3/8" - 12UN	10.625 269.88	10.625 269.88	12.625 320.68	5.00 127.00	5.875 149.23	7.875 200.03	1.50 38.10	4.875 123.83	3.00 76.20	2.25 57.15	1.375 34.93	4.50 114.30	1"	5.625 142.88	3.875 98.43	40mm	1.378 35.00	1.102 28.00	2.717 69.00	3.937 100.00
HR/SHS 55 5.50" BORE	2.50 63.50	1 3/8" - 12UN	11.25 285.75	11.375 288.93	13.25 336.55	5.50 139.70	6.50 165.10	8.375 212.73	1.50 38.10	5.00 127.00	3.00 76.20	2.25 57.15	1.375 34.93	4.50 114.30	1"	6.125 155.58	4.25 107.95	40mm	1.378 35.00	1.102 28.00	2.717 69.00	3.937 100.00
HR/SHS 60 6.00" BORE	3.00 76.20	2 1/4" - 12UN	12.00 304.80	12.00 304.80	14.00 355.60	5.875 149.22	7.00 177.80	9.00 228.60	1.50 38.10	5.125 130.18	3.50 88.90	2.50 63.50	1.375 34.93	5.00 127.00	1"	6.625 168.28	4.50 114.30	50mm	1.575 40.00	1.378 35.00	3.465 88.00	4.843 123.00
HR/SHS 65 6.50" BORE	3.00 76.20	2 1/4" - 12UN	12.125 307.98	12.25 311.15	14.125 358.78	5.875 149.22	7.125 180.98	9.00 228.60	1.50 38.10	5.25 133.25	3.50 88.90	2.50 63.50	1.375 34.93	5.00 127.00	1"	7.25 184.15	4.75 120.65	50mm	1.575 40.00	1.378 35.00	3.465 88.00	4.843 123.00
HR/SHS 70 7.00" BORE	3.50 88.90	2 1/2" - 12UN	14.50 368.30	15.00 381.00	17.75 450.85	7.25 184.15	8.50 215.90	11.25 288.75	1.50 38.10	6.00 152.40	3.50 88.90	2.75 69.85	2.00 50.80	5.00 127.00	1 1/4"	7.75 196.85	5.25 133.35	60mm	1.969 50.00	1.732 44.00	3.937 100.00	5.512 140.00
HR/SHS 75 7.50" BORE	3.50 88.90	2 1/2" - 12UN	15.00 381.00	15.50 393.70	18.25 463.55	7.00 177.80	8.50 215.90	11.25 288.75	1.50 38.10	6.50 165.10	3.50 88.90	3.00 76.20	2.00 50.80	5.00 127.00	1 1/4"	8.50 215.90	5.50 139.70	60mm	1.969 50.00	1.732 44.00	3.937 100.00	5.512 140.00
HR/SHS 80 8.00" BORE	4.00 101.60	3" - 12UN	16.125 409.58	16.375 415.93	19.25 488.95	7.875 200.03	9.125 230.15	12.00 304.80	1.50 38.10	6.50 165.10	4.00 101.60	3.25 82.55	2.25 57.15	5.50 139.70	1 1/4"	9.00 228.60	6.00 152.40	80mm	2.362 60.00	2.165 55.00	5.551 141.00	7.087 180.00
HR/SHS 90 9.00" BORE	4.50 114.30	3" - 12UN	17.375 441.33	17.875 454.03	20.375 517.53	8.50 215.90	10.125 257.18	12.625 320.68	1.50 38.10	7.00 177.80	4.00 101.60	3.375 85.73	2.25 57.15	5.50 139.70	1 1/4"	10.00 254.00	6.50 165.10	90mm	2.559 65.00	2.362 60.00	5.906 150.00	8.898 226.00
HR/SHS 100 10.00" BORE	5.00 127.00	3 3/4" - 12UN	18.125 460.38	18.50 469.90	21.00 533.40	8.625 219.08	10.25 260.35	12.75 323.85	1.50 38.10	7.50 190.50	4.375 111.13	3.50 88.90	2.25 57.15	5.875 149.22	1 1/4"	11.00 279.40	7.00 177.80	100mm	2.756 70.00	2.756 70.00	6.693 170.00	9.843 250.00