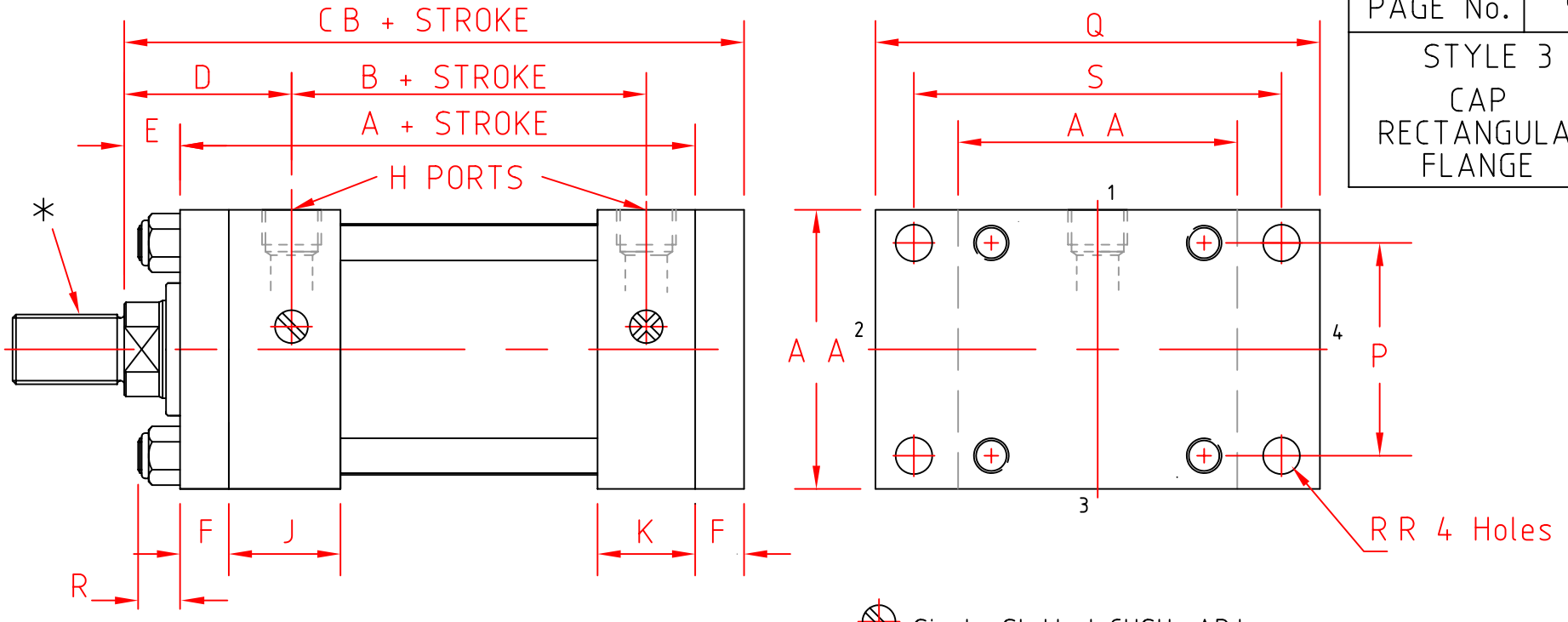


STYLE 3
CAP
RECTANGULAR
FLANGE

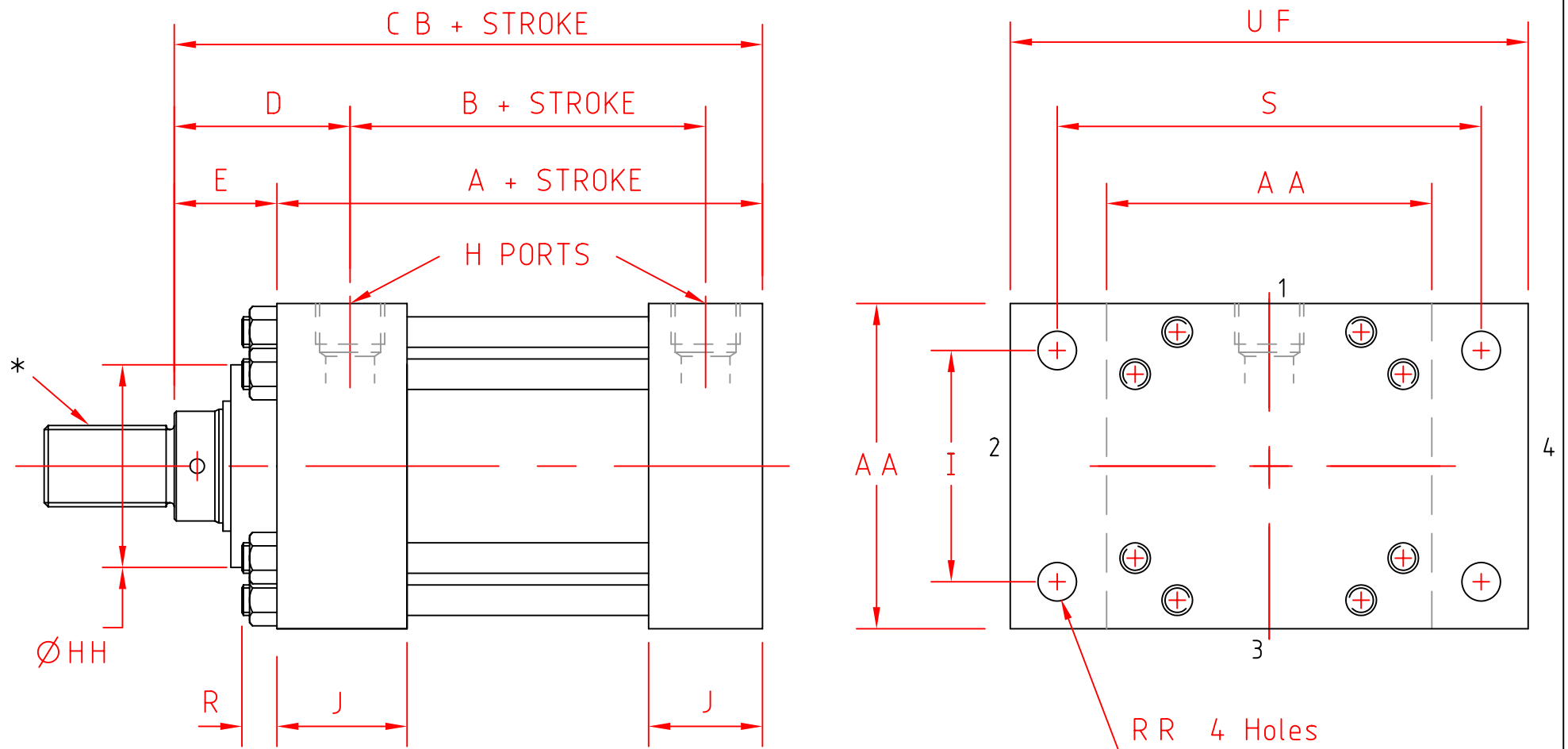


* MALE ROD END SHOWN See sheet 4 for male & female variations and dimensions

- Single Slotted CUSH. ADJ.
- Cross Slotted CUSH. Relief (Fixed)

CYLINDER SIZE	ROD DIA. E E	E	CB	D	A	AA	B	F	H BSPP.	J	K	R	P	Q	RR	S
HB 15 1.50" BORE	0.625" STD. 15.87	0.63" 15.87	6.00" 152.4	2.00" 50.8	5.00" 127.0	2.50" 63.5	2.88" 73.02	0.38" 9.52	1/2"	1.75" 44.45	1.50" 38.1	0.50" 12.7	1.63" 41.4	4.25" 107.95	0.44" 11.11	3.44" 87.31
	1.000" 25.4	1.00" 25.4	6.38" 161.92	2.38" 60.32												
HB 20 2.00" BORE	1.000" STD. 25.4	0.75" 19.05	6.63" 168.27	2.38" 60.32	5.25" 133.35	3.00" 76.2	2.88" 73.02	0.62" 15.87	1/2"	1.75" 44.45	1.50" 38.1	0.63" 15.87	2.05" 52.07	5.13" 130.17	0.56" 14.28	4.13" 104.77
	1.375" 34.92	1.00" 25.4	6.88" 174.62	2.63" 66.68												
HB 25 2.50" BORE	1.000" STD. 25.4	0.75" 19.05	6.75" 171.45	2.38" 60.32	5.38" 136.52	3.50" 88.9	3.00" 76.2	0.62" 15.87	1/2"	1.75" 44.45	1.50" 38.1	0.63" 15.87	2.55" 64.7	5.63" 142.87	0.56" 14.28	4.63" 117.47
	1.375" 34.92	1.00" 25.4	7.00" 177.8	2.63" 66.68												
	1.750" 44.45	1.25" 31.75	7.25" 184.15	2.88" 73.02												
HB 32 3.25" BORE	1.375" STD. 34.92	0.88" 22.22	7.88" 200.02	2.75" 69.85	6.25" 158.75	4.50" 114.3	3.50" 88.9	0.75" 19.05	3/4"	2.00" 50.8	1.75" 44.45	0.75" 19.05	3.25" 82.55	7.13" 180.97	0.69" 17.46	5.88" 149.22
	1.750" 44.45	1.13" 28.57	8.13" 206.37	3.00" 76.2												
	2.000" 50.8	1.25" 31.75	8.25" 209.55	3.13" 79.38												
HB 40 4.00" BORE	1.750" STD. 44.45	1.00" 25.4	8.50" 215.9	3.00" 76.2	6.63" 168.27	5.00" 127.0	3.75" 95.25	0.88" 22.22	3/4"	2.00" 50.8	1.75" 44.45	0.75" 19.05	3.82" 97.0	7.63" 193.67	0.69" 17.46	6.38" 161.92
	2.000" 50.8	1.13" 28.57	8.63" 219.07	3.13" 79.37												
	2.500" 63.5	1.38" 34.92	8.88" 225.42	3.38" 85.73												
HB 50 5.00" BORE	2.000" STD. 50.8	1.13" 28.57	9.13" 231.77	3.13" 79.37	7.13" 180.97	6.50" 165.1	4.25" 107.95	0.88" 22.22	3/4"	2.00" 50.8	1.75" 44.45	1.06" 26.98	4.95" 125.7	9.75" 247.65	0.94" 23.81	8.19" 207.96
	2.500" 63.5	1.38" 34.92	9.38" 238.13	3.38" 85.73												
	3.000" 76.2	1.38" 34.92	9.38" 238.13	3.38" 85.73												
	3.500" 88.9	1.38" 34.92	9.38" 238.13	3.38" 85.73												
HB 60 6.00" BORE	2.500" STD. 63.5	1.25" 31.75	10.63" 269.88	3.50" 88.9	8.38" 212.72	7.50" 190.50	4.88" 132.82	1.00" 25.4	1.00"	2.25" 57.15	2.25" 57.15	1.12" 28.57	5.73" 145.5	11.25" 285.75	1.06" 26.98	9.44" 239.71
	3.000" 76.2	1.25" 31.75														
	3.500" 88.9	1.25" 31.75														
	4.000" 101.6	1.25" 31.75														
HB 70 7.00" BORE	3.000" STD. 76.2	1.25" 31.75	11.75" 298.45	3.81" 96.83	9.50" 241.3	8.50" 215.9	5.38" 136.52	1.00" 25.4	1,1/4"	2.75" 69.85	2.75" 69.85	1.25" 31.75	6.58" 167.1	12.63" 320.67	1.19" 30.16	10.63" 269.87
	3.500" 88.9	1.25" 31.75														
	4.000" 101.6	1.25" 31.75														
	5.000" 127.0	1.25" 31.75														
HB 80 8.00" BORE	3.500" STD. 88.9	1.25" 31.75	12.75" 323.85	3.94" 100.0	10.50" 266.7	9.50" 241.3	6.13" 155.57	1.00" 25.4	1,1/2"	3.00" 76.2	3.00" 76.2	1.38" 34.92	7.50" 190.5	14.00" 355.6	1.31" 33.33	11.81" 300.03
	4.000" 101.6	1.25" 31.75														
	5.000" 127.0	1.25" 31.75														
	5.500" 139.7	1.25" 31.75														

STYLE 3
CAP
RECTANGULAR
FLANGE



* MALE ROD END SHOWN See sheet 4A for male & female variations and dimensions

- Single Slotted CUSH. ADJ.
- Cross Slotted CUSH. Relief (Fixed)

CYLINDER SIZE	ROD DIA. E E	E	CB	D	HH Ø	A	AA	B	H	J	R	UF	S	I	R R Ø
HB 100 10.00" BORE	4.50" 114.3	2.94" 74.6	15.06" 382.57	4.75" 120.65	8.25" 209.55	12.13" 307.97	12.63" 320.67	8.50" 215.90	2.00" BSPP.	3.69" 93.65	1.56" 39.68	19.00" 482.6	15.875" 403.22	9.62" 244.34	1.81" 46.02
	5.00" STD. 127.0	3.19" 80.95	15.31" 388.93	5.00" 127.0	8.75" 222.25										
	5.50" 139.7	3.19" 80.95	15.31" 388.93	5.00" 127.0	9.38" 238.13										
	7.00" 177.8	3.50" 88.9	15.63" 396.87	5.31" 134.93	10.5" 266.7										
HB 120 12.00" BORE	5.50" 139.7	3.19" 80.95	17.69" 449.25	5.44" 138.09	9.38" 238.13	14.5" 368.30	14.88" 377.82	10.00" 254.00	2.50" SAE.	4.44" 112.71	2.09" 53.08	22.00" 558.8	18.500" 469.90	11.45" 290.83	2.06" 52.37
	7.00" STD. 177.8	3.50" 88.9	18.0" 457.20	5.75" 146.05	10.5" 266.7										
	8.00" 203.2	4.00" 101.6	18.5" 469.90	6.25" 158.75	12.5" 317.5										