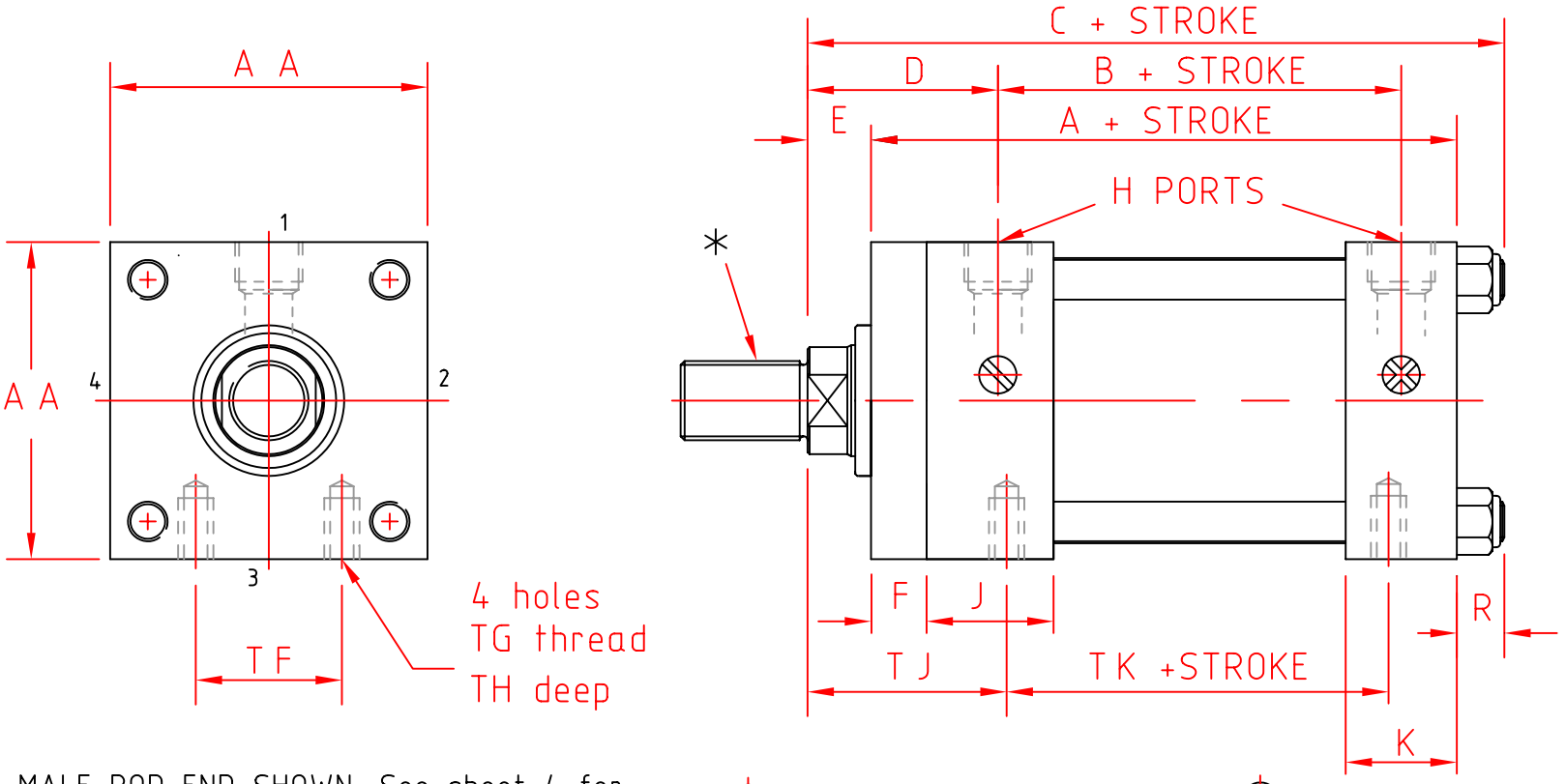


STYLE 8
SIDE TAPPED



* MALE ROD END SHOWN See sheet 4 for male & female variations and dimensions

⊗ Single Slotted CUSH. ADJ.

⊗ Cross Slotted CUSH. Relief (Fixed)

CYLINDER SIZE	ROD DIA. E E	E	C	D	TJ	A	AA	B	F	H BSPP.	J	K	R	TF	TG (unc)	TH	TK													
HB 15 1.50" BORE	0.625" STD. 15.87	0.63" 15.87	6.13" 155.57	2.00" 50.8	2.00" 50.8	5.00"	2.50"	2.88"	0.38"	1/2"	1.75"	1.50"	0.50"	0.75"	3/8"-16	0.50"	2.88"													
	1.000" 25.4	1.00" 25.4	6.50" 165.1	2.38" 60.32	2.38" 60.32	127.0	63.5	73.02	9.52	1/2"	44.45	38.1	12.7	19.05		12.7	73.02													
HB 20 2.00" BORE	1.000" STD. 25.4	0.75" 19.05	6.63" 168.27	2.38" 60.32	2.38" 60.32	5.25"	3.00"	2.88"	0.62"	1/2"	1.75"	1.50"	0.63"	0.94"	1/2"-13	0.63"	2.88"													
	1.375" 34.92	1.00" 25.4	6.88" 174.63	2.63" 66.68	2.63" 66.68	133.35	76.2	73.02	15.87	1/2"	44.45	38.1	15.87	23.81		15.87	73.02													
HB 25 2.50" BORE	1.000" STD. 25.4	0.75" 19.05	6.75" 171.45	2.38" 60.32	2.38" 60.32	5.38"	3.50"	3.00"	0.62"	1/2"	1.75"	1.50"	0.63"	1.31"	5/8"-11	0.56"	3.00"													
	1.375" 34.92	1.00" 25.4	7.00" 177.8	2.63" 66.68	2.63" 66.68													136.52	88.9	76.2	15.87	44.45	38.1	15.87	33.33	14.28	76.2			
	1.750" 44.45	1.25" 31.75	7.25" 184.15	2.88" 73.02	2.88" 73.02													88.9	76.2	15.87	44.45	38.1	15.87	33.33	14.28	76.2				
HB 32 3.25" BORE	1.375" STD. 34.92	0.88" 22.22	7.88" 200.02	2.75" 69.85	2.75" 69.85	6.25"	4.50"	3.50"	0.75"	3/4"	2.00"	1.75"	0.75"	1.50"	3/4"-10	0.88"	3.50"													
	1.750" 44.45	1.13" 28.57	8.13" 206.5	3.00" 76.2	3.00" 76.2													158.75	114.3	88.9	19.05	50.8	44.45	19.05	38.1	22.22	88.9			
	2.000" 50.8	1.25" 31.75	8.25" 209.5	3.13" 79.38	3.13" 79.38													114.3	88.9	19.05	50.8	44.45	19.05	38.1	22.22	88.9				
HB 40 4.00" BORE	1.750" STD. 44.45	1.00" 25.4	8.38" 212.72	3.00" 76.2	3.00" 76.2	6.63"	5.00"	3.75"	0.88"	3/4"	2.00"	1.75"	0.75"	2.06"	1.00"-8	1.00"	3.75"													
	2.000" 50.8	1.13" 28.57	8.50" 215.9	3.13" 79.37	3.13" 79.37													168.27	127.0	95.25	22.22	50.8	44.45	19.05	52.38	25.4	95.25			
	2.500" 63.5	1.38" 34.92	8.75" 222.25	3.38" 85.73	3.38" 85.73													95.25	22.22	50.8	44.45	19.05	52.38	25.4	95.25					
HB 50 5.00" BORE	2.000" STD. 50.8	1.13" 28.57	9.31" 236.53	3.13" 79.37	3.13" 79.37	7.13"	6.50"	4.25"	0.88"	3/4"	2.00"	1.75"	1.06"	2.94"	1.00"-8	1.13"	4.25"													
	2.500" 63.5	1.38" 34.92	9.56" 242.88	3.38" 85.73	3.38" 85.73													180.97	165.1	107.95	22.22	50.8	44.45	26.98	74.61	28.57	107.95			
	3.000" 76.2	1.38" 34.92	9.56" 242.88	3.38" 85.73	3.38" 85.73													107.95	22.22	50.8	44.45	26.98	74.61	28.57	107.95					
	3.500" 88.9	1.38" 34.92	9.56" 242.88	3.38" 85.73	3.38" 85.73													107.95	22.22	50.8	44.45	26.98	74.61	28.57	107.95					
HB 60 6.00" BORE	2.500" STD. 63.5	1.25" 31.75	10.75"	3.50"	3.50"	8.38"	7.50"	4.88"	1.00"	1.00"	2.25"	2.25"	1.12"	3.31"	1,1/4"-7	1.75"	5.13"													
	3.000" 76.2	1.25" 31.75																273.05	88.9	88.9	212.72	190.50	132.82	25.4	57.15	57.15	28.57	84.13	44.45	130.17
	3.500" 88.9	1.25" 31.75																88.9	88.9	88.9	212.72	190.50	132.82	25.4	57.15	57.15	28.57	84.13	44.45	130.17
	4.000" 101.6	1.25" 31.75																88.9	88.9	88.9	212.72	190.50	132.82	25.4	57.15	57.15	28.57	84.13	44.45	130.17
HB 70 7.00" BORE	3.000" STD. 76.2	1.25" 31.75	12.00"	3.81"	3.81"	9.50"	8.50"	5.38"	1.00"	1,1/4"	2.75"	2.75"	1.25"	3.75"	1,1/2"-6	2.13"	5.88"													
	3.500" 88.9	1.25" 31.75																304.8	96.83	96.83	241.3	215.9	136.52	25.4	69.85	69.85	31.75	95.25	53.97	149.22
	4.000" 101.6	1.25" 31.75																96.83	96.83	96.83	241.3	215.9	136.52	25.4	69.85	69.85	31.75	95.25		
	5.000" 127.0	1.25" 31.75																96.83	96.83	96.83	241.3	215.9	136.52	25.4	69.85	69.85	31.75	95.25		
HB 80 8.00" BORE	3.500" STD. 88.9	1.25" 31.75	13.12"	3.94"	3.94"	10.50"	9.50"	6.13"	1.00"	1,1/2"	3.00"	3.00"	1.38"	4.25"	1,1/2"-6	2.25"	6.63"													
	4.000" 101.6	1.25" 31.75																333.37	100.0	100.0	266.7	241.3	155.57	25.4	76.2	76.2	34.92	107.95	57.15	168.27
	5.000" 127.0	1.25" 31.75																100.0	100.0	100.0	266.7	241.3	155.57	25.4	76.2	76.2	34.92	107.95		
	5.500" 139.7	1.25" 31.75																100.0	100.0	100.0	266.7	241.3	155.57	25.4	76.2	76.2	34.92	107.95		