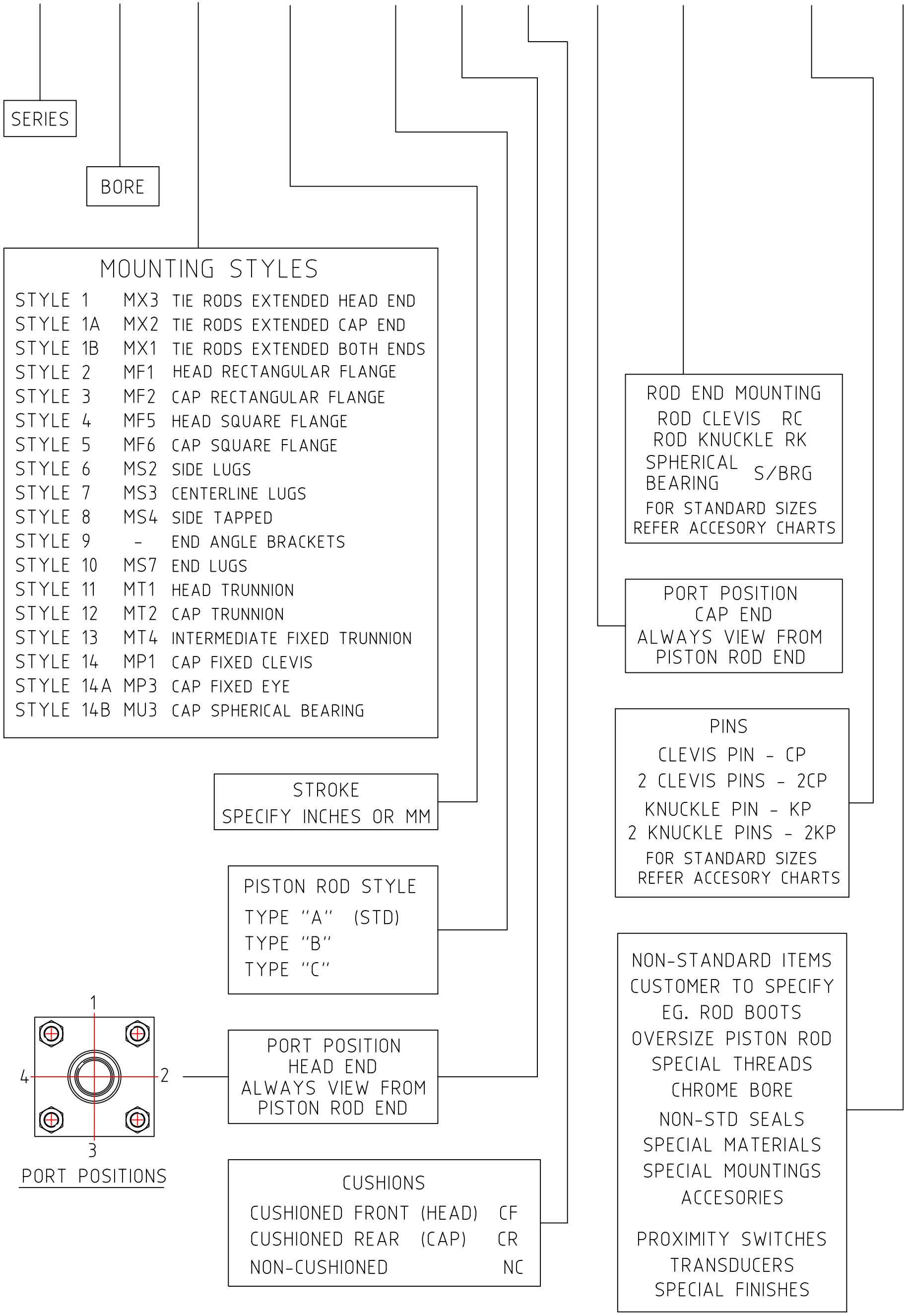


ORDERING HB SERIES HYDRAULIC CYLINDERS

HB - 25 - 14 - 10.00" - A - 1 - NC - 1 - RC100 - CP100 - S



SERIES

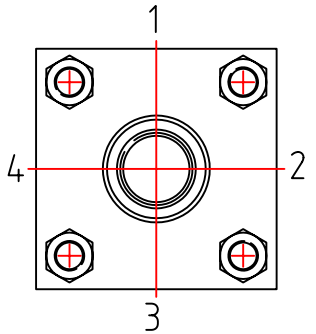
BORE

MOUNTING STYLES

STYLE 1	MX3	TIE RODS EXTENDED HEAD END
STYLE 1A	MX2	TIE RODS EXTENDED CAP END
STYLE 1B	MX1	TIE RODS EXTENDED BOTH ENDS
STYLE 2	MF1	HEAD RECTANGULAR FLANGE
STYLE 3	MF2	CAP RECTANGULAR FLANGE
STYLE 4	MF5	HEAD SQUARE FLANGE
STYLE 5	MF6	CAP SQUARE FLANGE
STYLE 6	MS2	SIDE LUGS
STYLE 7	MS3	CENTERLINE LUGS
STYLE 8	MS4	SIDE TAPPED
STYLE 9	-	END ANGLE BRACKETS
STYLE 10	MS7	END LUGS
STYLE 11	MT1	HEAD TRUNNION
STYLE 12	MT2	CAP TRUNNION
STYLE 13	MT4	INTERMEDIATE FIXED TRUNNION
STYLE 14	MP1	CAP FIXED CLEVIS
STYLE 14A	MP3	CAP FIXED EYE
STYLE 14B	MU3	CAP SPHERICAL BEARING

STROKE
SPECIFY INCHES OR MM

PISTON ROD STYLE
TYPE "A" (STD)
TYPE "B"
TYPE "C"



PORT POSITIONS

PORT POSITION
HEAD END
ALWAYS VIEW FROM
PISTON ROD END

CUSHIONS
CUSHIONED FRONT (HEAD) CF
CUSHIONED REAR (CAP) CR
NON-CUSHIONED NC

ROD END MOUNTING
ROD CLEVIS RC
ROD KNUCKLE RK
SPHERICAL S/BRG
BEARING
FOR STANDARD SIZES
REFER ACCESSORY CHARTS

PORT POSITION
CAP END
ALWAYS VIEW FROM
PISTON ROD END

PINS
CLEVIS PIN - CP
2 CLEVIS PINS - 2CP
KNUCKLE PIN - KP
2 KNUCKLE PINS - 2KP
FOR STANDARD SIZES
REFER ACCESSORY CHARTS

NON-STANDARD ITEMS
CUSTOMER TO SPECIFY
EG. ROD BOOTS
OVERSIZE PISTON ROD
SPECIAL THREADS
CHROME BORE
NON-STD SEALS
SPECIAL MATERIALS
SPECIAL MOUNTINGS
ACCESSORIES
PROXIMITY SWITCHES
TRANSDUCERS
SPECIAL FINISHES