

ROD KNUCKLE WITH SPHERICAL BEARING (RKSb)

NOTE

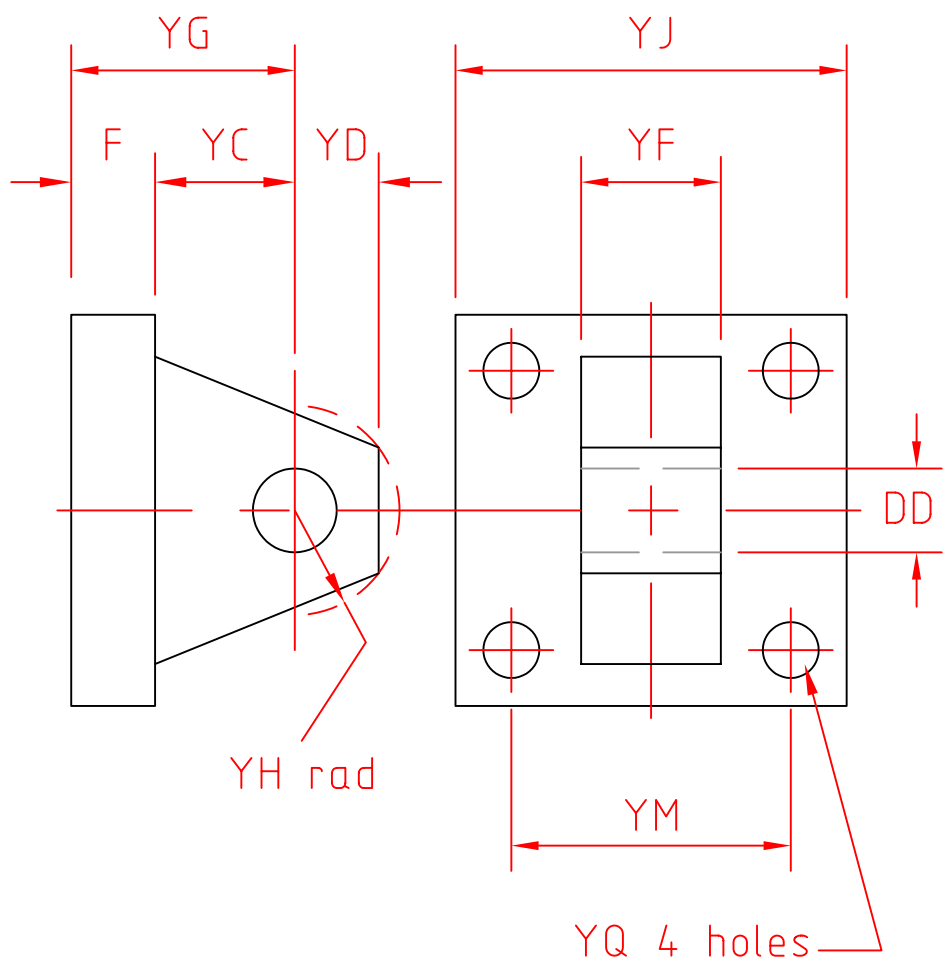
When ordering SPHERICAL BEARING ROD KNUCKLE
e.g. ROD KNUCKLE with 100 mm. dia. pin size
please quote RKSb100

PART NUMBER	C 0	d	d 1	d 2	THREAD d 3	d 4	d 5	B	C 1	h 1	l 3	l 4	l 7
RKSb-20	72 kN	20mm -0,010	0.95" 24.10	2.20" 56.0	M16 x 1.5	0.98" 25.0	1.61" 41.0	0.629" 16.00	0.75" 19.0	1.97" 50.0	0.67" 17.0	3.07" 78.0	0.98" 25.0
RKSb-25	72 kN	25mm -0,010	1.15" 29.3	2.20" 56.0	M16 x 1.5	0.98" 25.0	1.61" 41.0	0.787" 20.00	0.90" 23.0	1.97" 50.0	0.67" 17.0	3.07" 78.0	0.98" 25.0
RKSb-30	106 kN	30mm -0,010	1.35" 34.2	2.52" 64.0	M22 x 1.5	1.26" 32.0	1.81" 46.0	0.866" 22.00	1.10" 28.0	2.36" 60.0	0.90" 23.0	3.62" 92.0	1.18" 30.0
RKSb-35	153 kN	35mm -0,012	1.56" 39.7	3.07" 78.0	M28 x 1.5	1.57" 40.0	2.28" 58.0	0.984" 25.00	1.18" 30.0	2.75" 70.0	1.14" 29.0	4.29" 109.0	1.49" 38.0
RKSb-40	250 kN	40mm -0,012	1.77" 45.0	3.70" 94.0	M35 x 1.5	1.93" 49.0	2.59" 66.0	1.102" 28.00	1.38" 35.0	3.34" 85.0	1.41" 36.0	5.19" 132.0	1.77" 45.0
RKSb-50	365 kN	50mm -0,012	2.20" 55.9	4.56" 116.0	M45 x 1.5	2.40" 61.0	3.46" 88.0	1.378" 35.00	1.57" 40.0	4.13" 105.0	1.81" 46.0	6.41" 163.0	2.16" 55.0
RKSb-60	400 kN	60mm -0,015	2.63" 66.8	5.11" 130.0	M58 x 1.5	2.95" 75.0	3.54" 90.0	1.732" 44.00	1.96" 50.0	5.11" 130.0	2.32" 59.0	7.87" 200.0	2.56" 65.0
RKSb-70	540 kN	70mm -0,015	3.06" 77.8	6.06" 154.0	M65 x 1.5	3.38" 86.0	3.94" 100.0	1.929" 49.00	2.16" 55.0	5.90" 150.0	2.59" 66.0	9.13" 232.0	2.95" 75.0
RKSb-80	670 kN	80mm -0,015	3.52" 89.4	6.93" 176.0	M80 x 2.0	4.01" 102.0	4.92" 125.0	2.165" 55.00	2.36" 60.0	6.69" 170.0	3.19" 81.0	10.43" 265.0	3.15" 80.0
RKSb-90	980 kN	90mm -0,020	3.86" 98.1	8.11" 206.0	M100 x 2.0	4.88" 124.0	5.75" 146.0	2.362" 60.00	2.56" 65.0	8.26" 210.0	3.97" 101.0	12.71" 323.0	3.54" 90.0
RKSb-100	1120 kN	100mm -0,020	4.31" 109.5	9.05" 230.0	M110 x 2.0	5.43" 138.0	6.53" 166.0	2.755" 70.00	2.75" 70.0	9.25" 235.0	4.37" 111.0	14.17" 360.0	4.13" 105.0

C0 = STATIC LOAD CAPACITY. (FROM MANUFACTURES CATALOGUE)

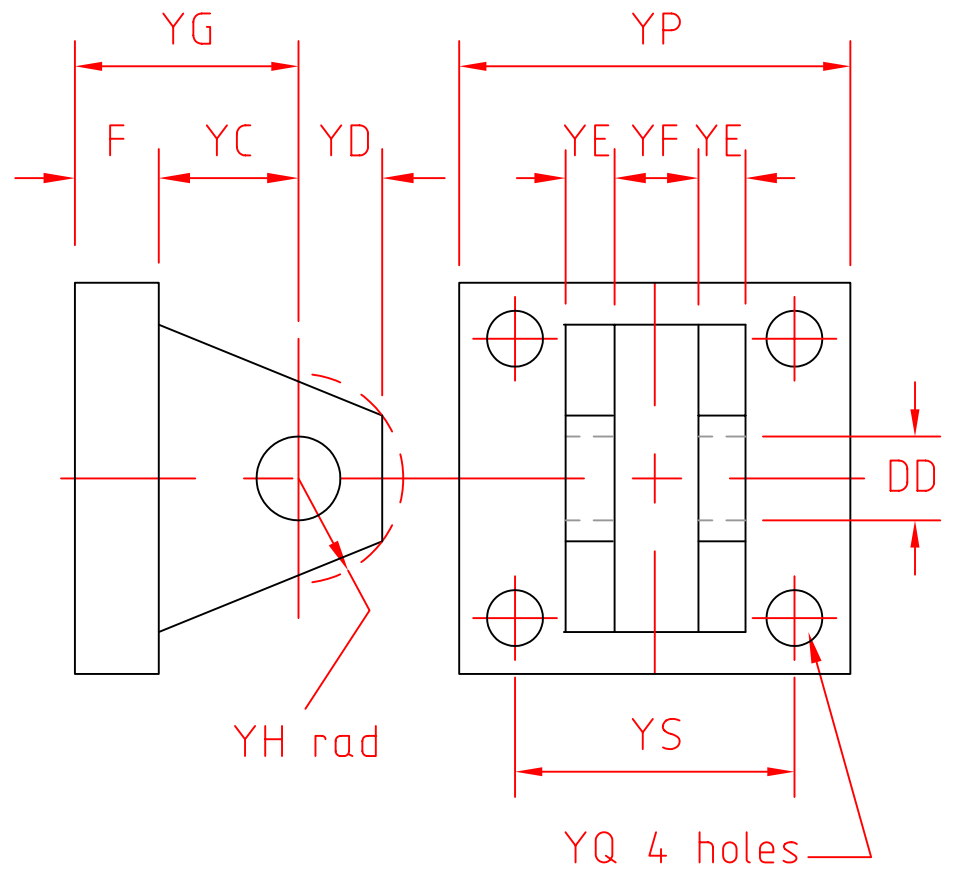
FOR SIZES OR LOAD CAPACITY LARGER THAN RKSb-100

OR SPECIAL REQUIREMENTS REFER TO "HYDROIL"



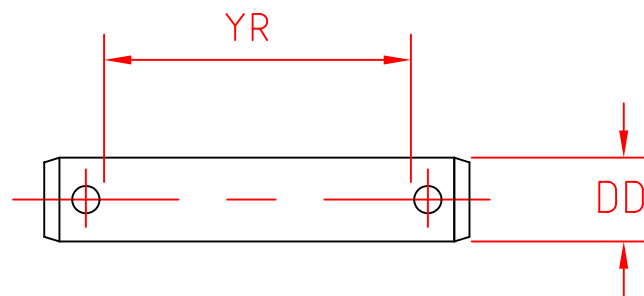
MALE BRACKET (MB)

For hole DD use B.S.1916 H8 fit.



FEMALE BRACKET (FB)

For hole DD use B.S.1916 H8 fit.



CLEVIS PIN (CP)

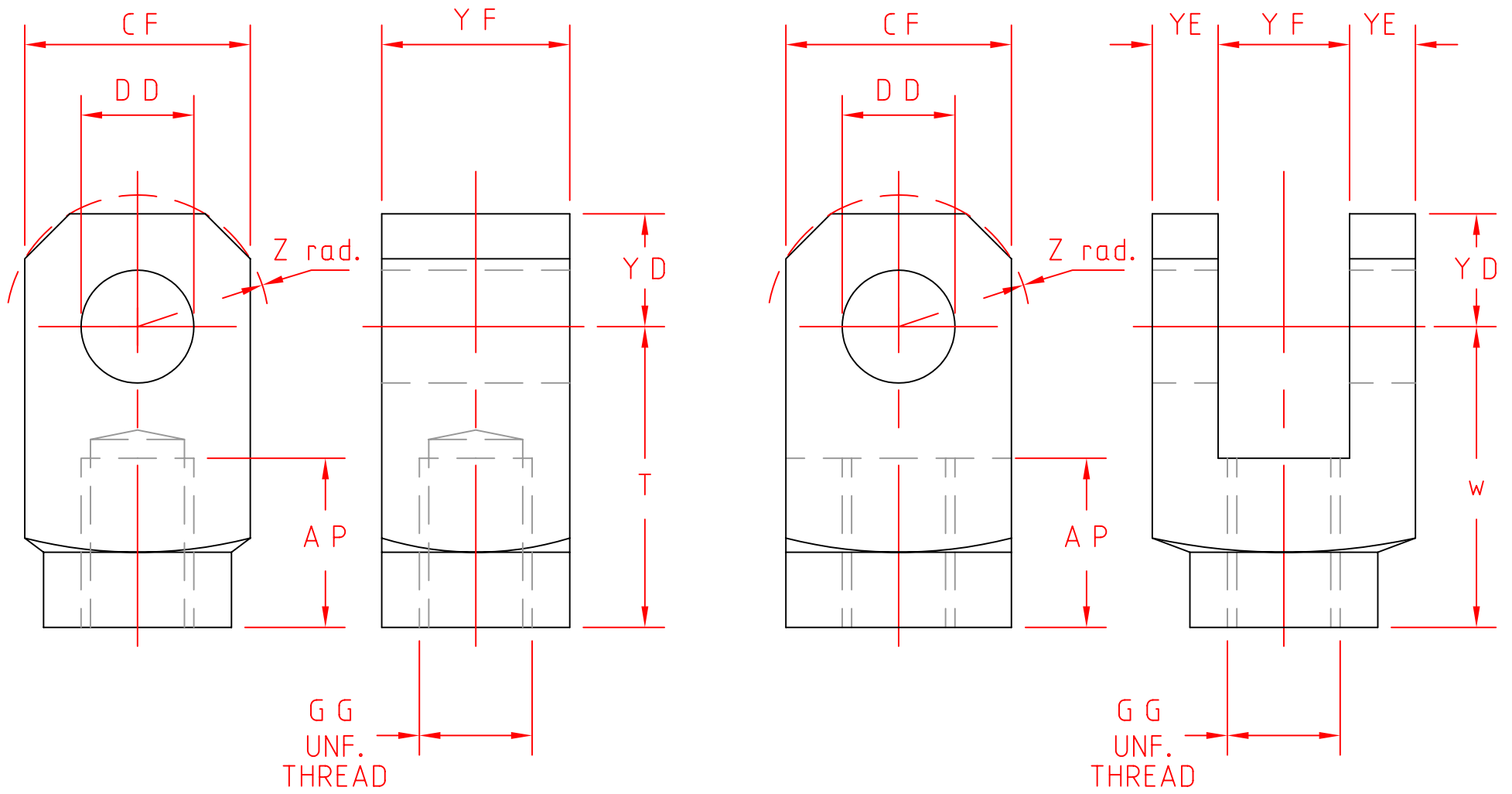
For pin use B.S.1916 f8 fit

NOTE

When ORDERING ACCESSORIES please relate appropriate abbreviation followed by part number.

e.g. MALE BRACKET for cylinder with 1.00" dia. rod.
please quote MB100

PART No.	ROD Dia.EE	THREAD GG	D D	Y R	Y H RAD	Y D	Y G	Y C	F	Y J	Y M	Y Q	Y P	Y S	Y E	Y F	PART No.
50	0.500" 12.7	5/16"-24	0.44" 11.11	0.88" 22.22	0.50" 12.70	0.44" 11.11	0.88" 22.22	0.50" 12.70	0.38" 9.52	2.25" 57.15	1.75" 44.45	0.27" 6.85	2.25" 57.15	1.75" 44.45	0.22" 5.6	0.44" 11.11	50
63	0.625" 15.87	7/16"-20	0.50" 12.70	1.75" 44.45	0.63" 15.87	0.50" 12.70	1.13" 28.57	0.75" 19.05	0.38" 9.52	2.50" 63.5	1.63" 41.27	0.41" 10.4	3.50" 88.9	2.55" 64.80	0.50" 12.70	0.75" 19.05	63
100	1.000" 25.4	3/4"-16	0.75" 19.05	2.50" 63.5	0.94" 23.81	0.75" 19.05	1.88" 47.62	1.25" 31.75	0.63" 15.87	3.50" 88.9	2.55" 64.80	0.53" 13.5	5.00" 127	3.82" 97.02	0.63" 15.87	1.25" 31.75	100
138	1.375" 34.92	1.00"-14	1.00" 25.4	3.00" 76.2	1.19" 31.10	1.00" 25.4	2.25" 57.15	1.50" 38.1	0.75" 19.05	4.50" 114.3	3.25" 82.55	0.66" 16.6	6.50" 165.1	4.95" 125.6	0.75" 19.05	1.50" 38.1	138
175	1.750" 44.45	1,1/4"-12	1.38" 34.92	4.00" 101.6	1.63" 41.27	1.38" 34.92	3.00" 76.2	2.13" 53.97	0.88" 22.22	5.00" 127	3.82" 97.02	0.66" 16.6	7.50" 190.5	5.73" 145.5	1.00" 25.4	2.00" 50.8	175
200	2.000" 50.8	1,1/2"-12	1.75" 44.45	5.00" 127	2.13" 53.97	1.75" 44.45	3.13" 79.37	2.25" 57.15	0.88" 22.22	6.50" 165.1	4.95" 125.6	0.91" 23.1	9.50" 241.3	7.50" 190.5	1.25" 31.75	2.50" 63.5	200
250	2.500" 63.5	1,7/8"-12	2.00" 50.8	5.00" 127	2.38" 60.32	2.00" 50.8	3.50" 88.9	2.50" 63.5	1.00" 25.4	7.50" 190.5	5.73" 145.5	1.06" 26.9	12.75" 323.85	9.40" 238.3	1.25" 31.75	2.50" 63.5	250
300	3.000" 76.2	2,1/4"-12	2.50" 63.5	6.00" 152.4	2.88" 73.02	2.50" 63.5	4.00" 101.6	3.00" 76.2	1.00" 25.4	8.50" 215.9	6.58" 167.2	1.19" 30.2	12.75" 323.85	9.40" 238.3	1.50" 38.1	3.00" 76.2	300
350	3.500" 88.9	2,1/2"-12	3.00" 76.2	6.00" 152.4	3.18" 80.77	3.00" 76.2	4.25" 107.95	3.25" 82.55	1.00" 25.4	9.50" 241.3	7.50" 190.5	1.31" 33.3	12.75" 323.85	9.40" 238.3	1.50" 38.1	3.00" 76.2	350

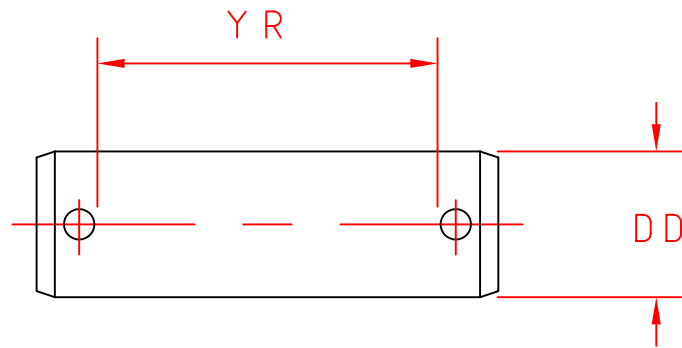


ROD KNUCKLE (RK)

For hole DD use B.S.1916 H8 fit.

ROD CLEVIS (RC)

For hole DD use B.S.1916 H8 fit.



CLEVIS PIN (CP)

For pin use B.S.1916 f8 fit.

NOTE

When ORDERING ACCESSORIES please relate appropriate abbreviation followed by part number.

e.g. ROD KNUCKLE for 1.00" dia. rod.
please quote RK100

PART No.	ROD Dia.EE	THREAD G G	D D	Y R	Y D	T	A P	W	Z RAD	C F	Y E	Y F	PART No.
50	0.500" 12.7	5/16"-24	0.44" 11.11	0.88" 22.22	0.44" 11.11	1.50" 38.1	0.63" 15.87	1.25" 31.75	0.44" 11.11	0.88" 22.22	0.22" 5.6	0.44" 11.11	50
63	0.625" 15.87	7/16"-20	0.50" 12.70	1.75" 44.45	0.50" 12.70	1.50" 38.1	0.75" 19.05	1.50" 38.1	0.63" 15.87	1.00" 25.4	0.50" 12.70	0.75" 19.05	63
100	1.000" 25.4	3/4"-16	0.75" 19.05	2.50" 63.5	0.75" 19.05	2.07" 52.45	1.13" 28.57	2.13" 53.97	0.88" 22.22	1.50" 38.1	0.63" 15.87	1.25" 31.75	100
138	1.375" 34.92	1.00"-14	1.00" 25.4	3.00" 76.2	1.00" 25.4	2.81" 71.4	1.63" 41.27	3.00" 76.2	1.18" 29.9	2.00" 50.8	0.75" 19.05	1.50" 38.1	138
175	1.750" 44.45	1,1/4"-12	1.38" 34.92	4.00" 101.6	1.38" 34.92	3.44" 87.31	2.00" 50.8	3.75" 95.25	1.63" 41.27	2.75" 69.85	1.00" 25.4	2.00" 50.8	175
200	2.000" 50.8	1,1/2"-12	1.75" 44.45	5.00" 127	1.75" 44.45	4.00" 101.6	2.25" 57.15	4.50" 114.3	2.13" 53.97	3.50" 88.9	1.25" 31.75	2.50" 63.5	200
250	2.500" 63.5	1,7/8"-12	2.00" 50.8	5.00" 127	2.00" 50.8	5.00" 127	3.00" 76.2	5.50" 139.7	2.38" 60.32	4.00" 101.6	1.25" 31.75	2.50" 63.5	250
300	3.000" 76.2	2,1/4"-12	2.50" 63.5	6.00" 152.4	2.50" 63.5	5.81" 147.6	3.50" 88.9	6.50" 165.1	2.75" 69.85	5.00" 127	1.50" 38.1	3.00" 76.2	300
350	3.500" 88.9	2,1/2"-12	3.00" 76.2	6.00" 152.4	3.00" 76.2	6.13" 155.57	3.50" 88.9	6.75" 171.45	3.00" 76.2	6.00" 152.4	1.50" 38.1	3.00" 76.2	350