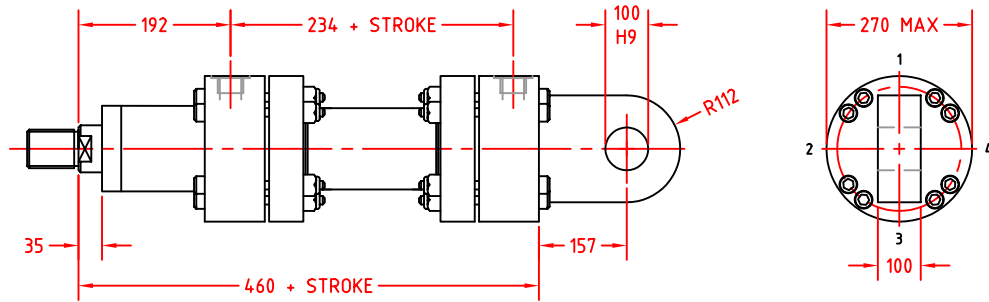
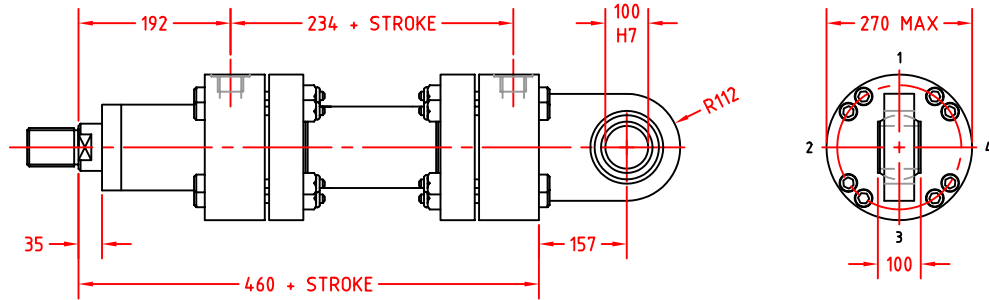


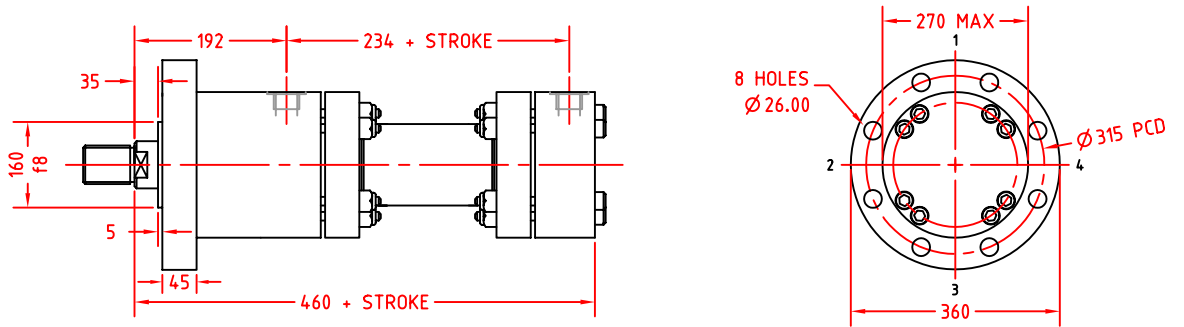
**CAP FIXED EYE
MOUNTING STYLE
MP3**



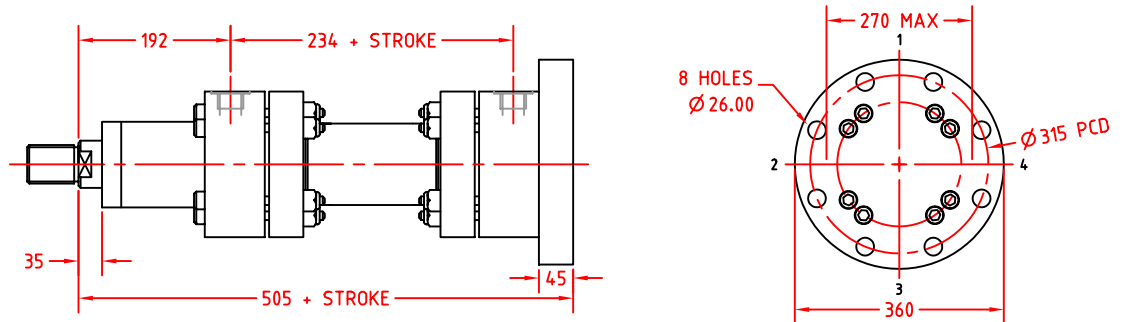
**CAP SPHERICAL EYE
MOUNTING STYLE
MP5**



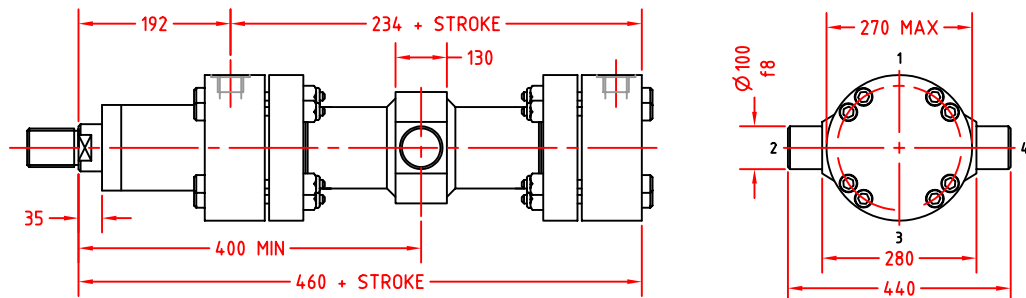
**HEAD CIRCULAR FLANGE
MOUNTING STYLE
MF3**



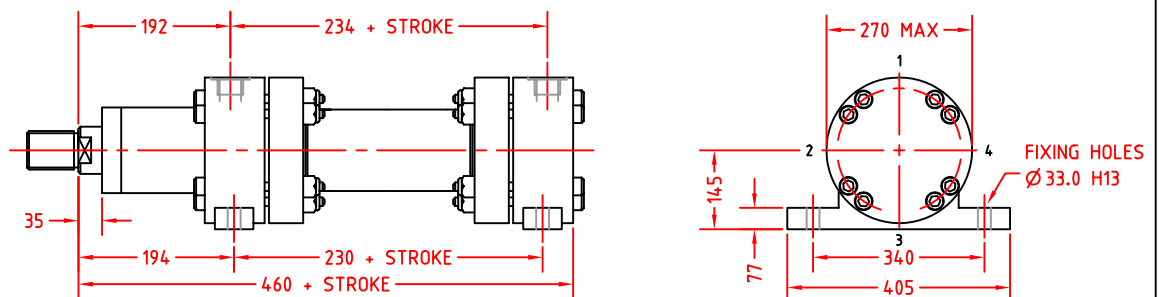
**CAP CIRCULAR FLANGE
MOUNTING STYLE
MF4**

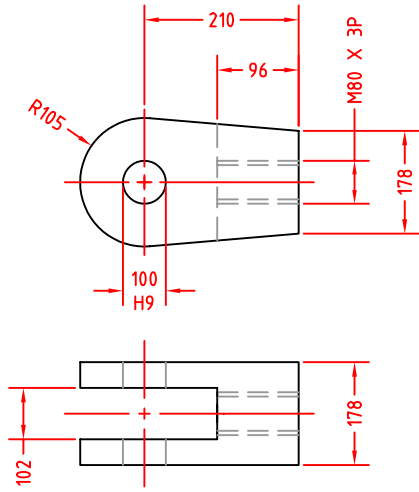


**INTERMEDIATE TRUNNION
MOUNTING STYLE
MT4**

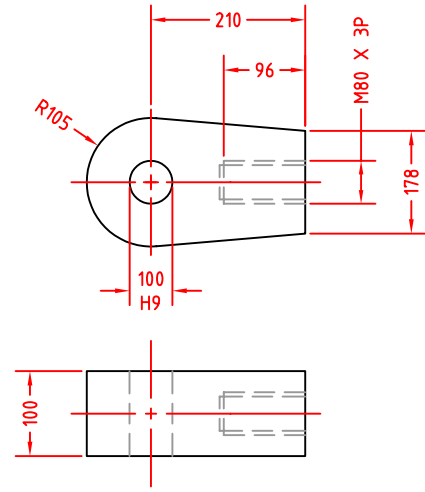


**FOOT MOUNTING
MOUNTING STYLE
FM**

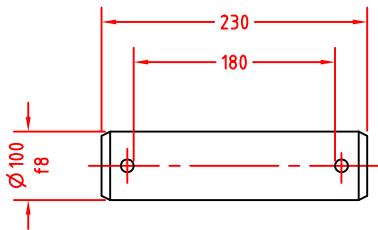




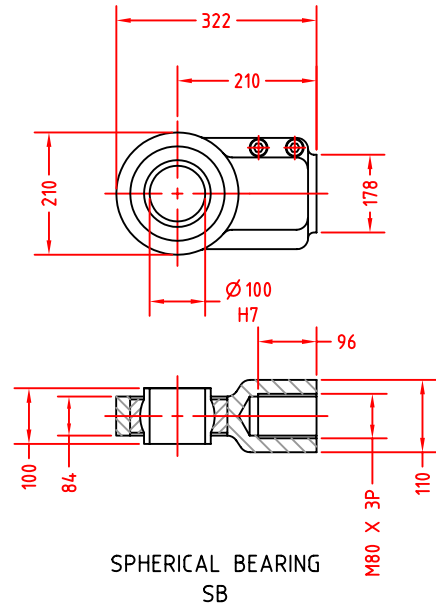
ROD CLEVIS
RC



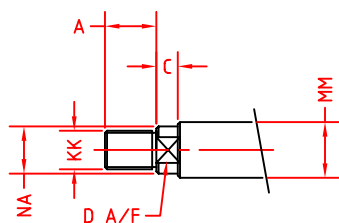
ROD KNUCKLE
RK



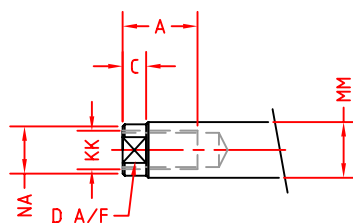
CLEVIS PIN
CP



SPHERICAL BEARING
SB



THREAD STYLE "M"



THREAD STYLE "F"

PISTON ROD DIMENSIONS

ROD	TYPE 1	TYPE 2
MM	Ø 100.00	Ø 110.00
NA	Ø 99.00	Ø 109.00
KK	M80 x 3P	M80 x 3P
A	95.00	95.00
D	85.00 A/F	95.00 A/F
C	31	31

PORT CONNECTIONS

- TYPE - 01 1-1/4" BSPP
- TYPE - 02 M42 x 2P