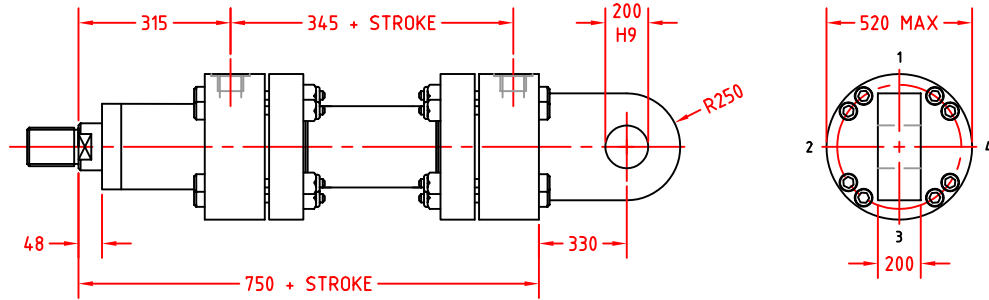
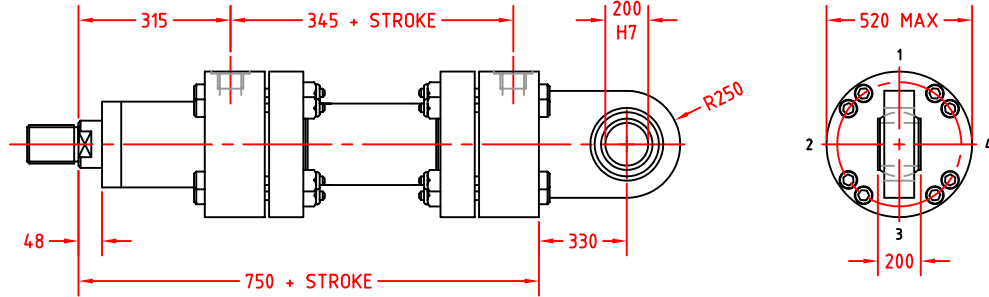


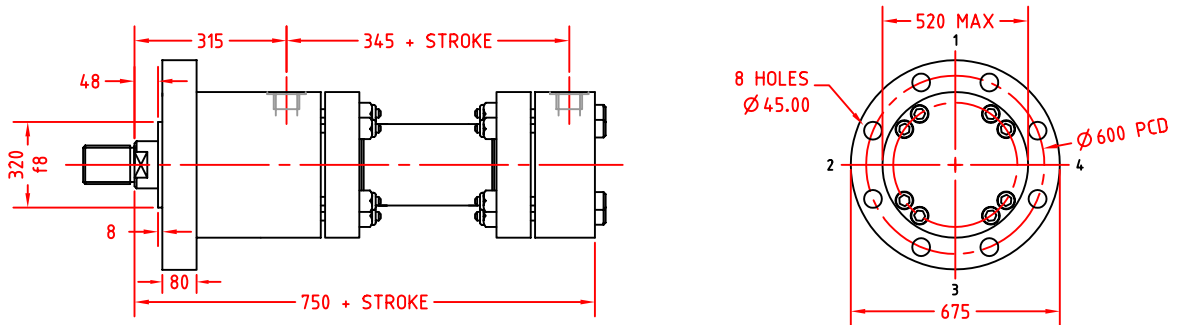
CAP FIXED EYE  
MOUNTING STYLE  
MP3



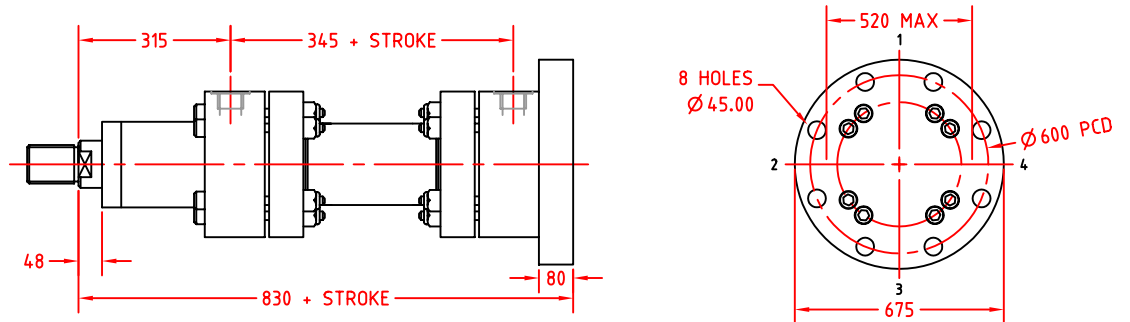
CAP SPHERICAL EYE  
MOUNTING STYLE  
MP5



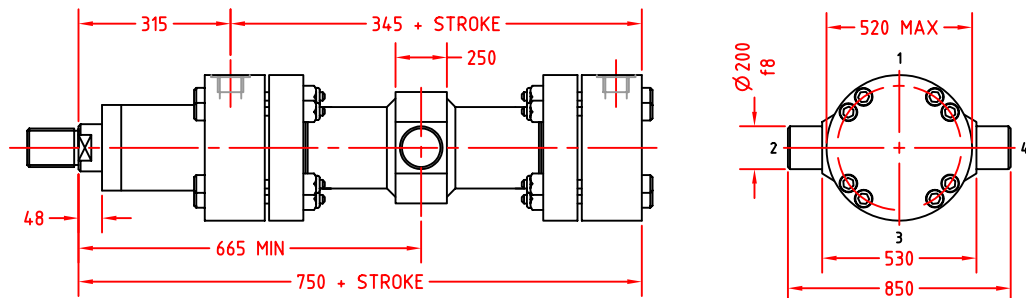
HEAD CIRCULAR FLANGE  
MOUNTING STYLE  
MF3



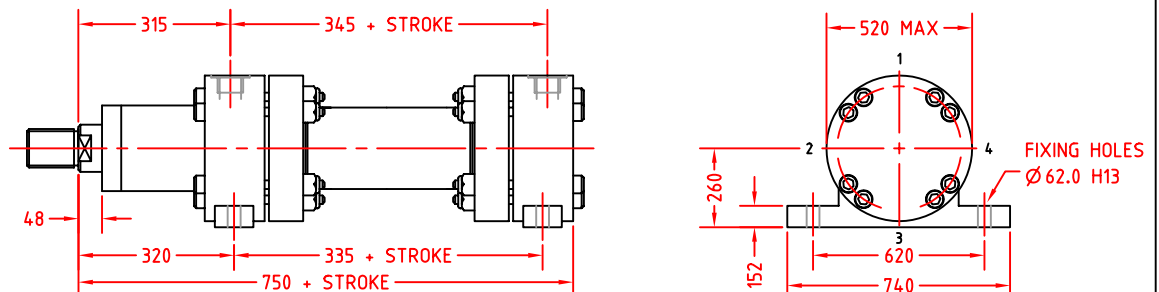
CAP CIRCULAR FLANGE  
MOUNTING STYLE  
MF4

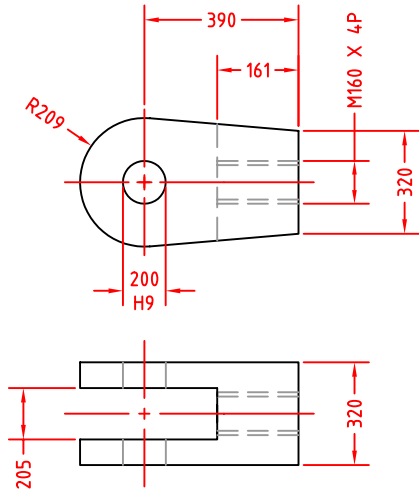


INTERMEDIATE TRUNNION  
MOUNTING STYLE  
MT4

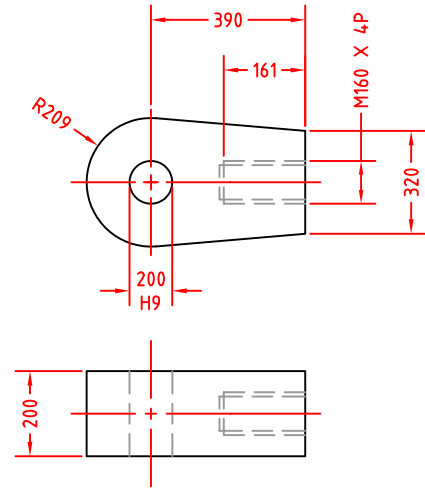


FOOT MOUNTING  
MOUNTING STYLE  
FM



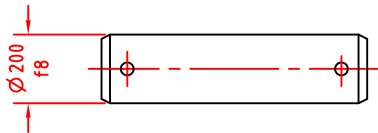


ROD CLEVIS  
RC

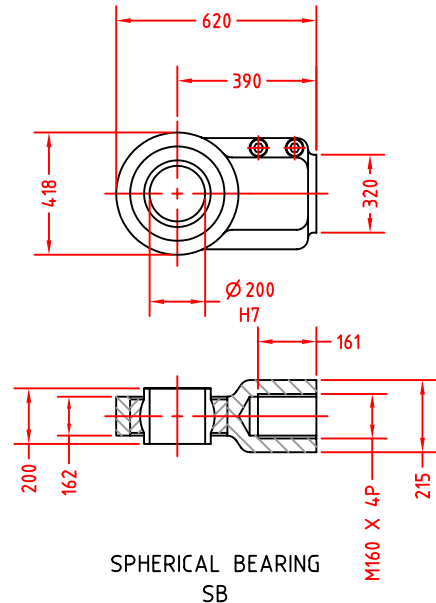


ROD KNUCKLE  
RK

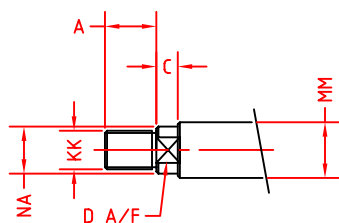
OVERALL LENGTH & RETAINING METHOD  
TO SUIT APPLICATION



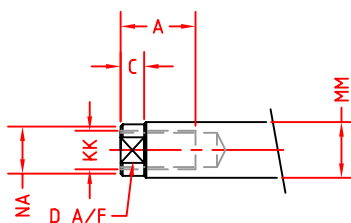
CLEVIS PIN  
CP



SPHERICAL BEARING  
SB



THREAD STYLE "M"



THREAD STYLE "F"

PISTON ROD DIMENSIONS

ROD	TYPE 1	TYPE 2
MM	Ø 200.00	Ø 220.00
NA	Ø 199.00	Ø 219.00
KK	M160 x 4P	M160 x 4P
A	160.00	160.00
D	180.00 A/F	200.00 A/F
C	44	44

PORT CONNECTIONS

TYPE - 01 2" BSPP  
TYPE - 02 M60 x 2P