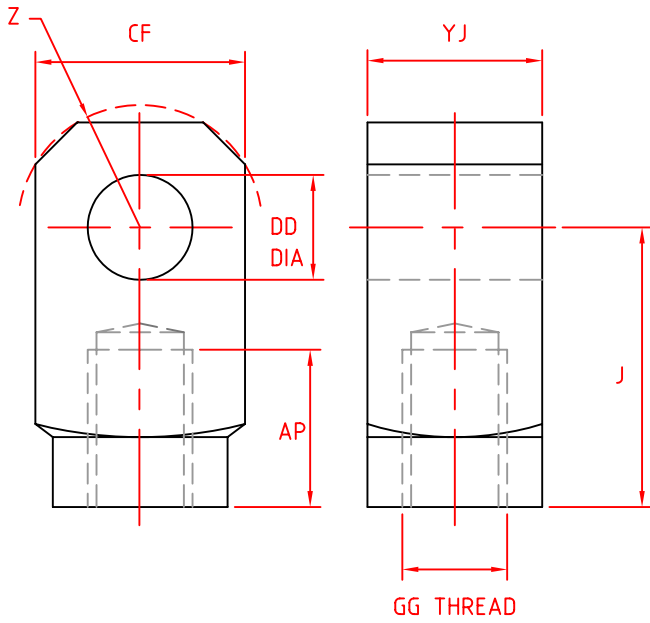
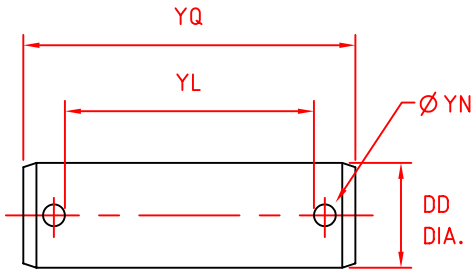
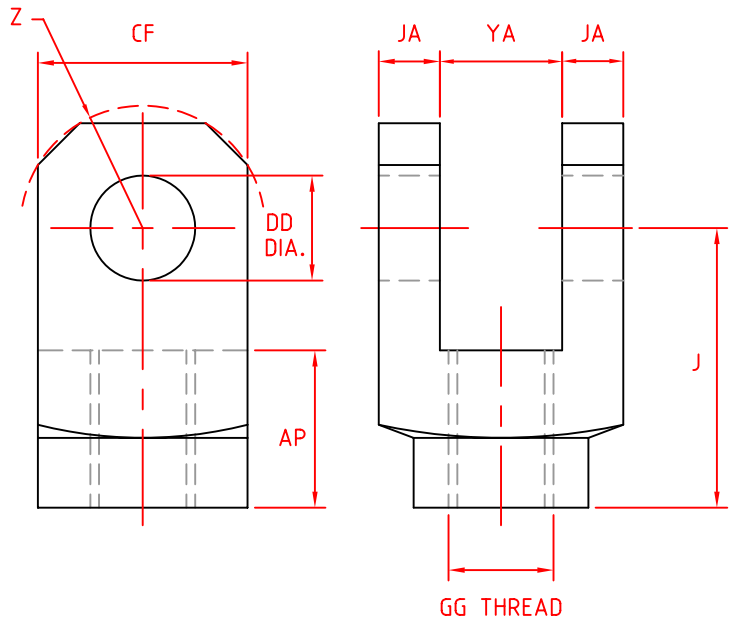


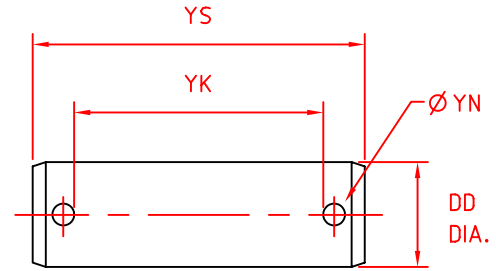
ROD KNUCKLE (RK)



ROD CLEVIS (RC)



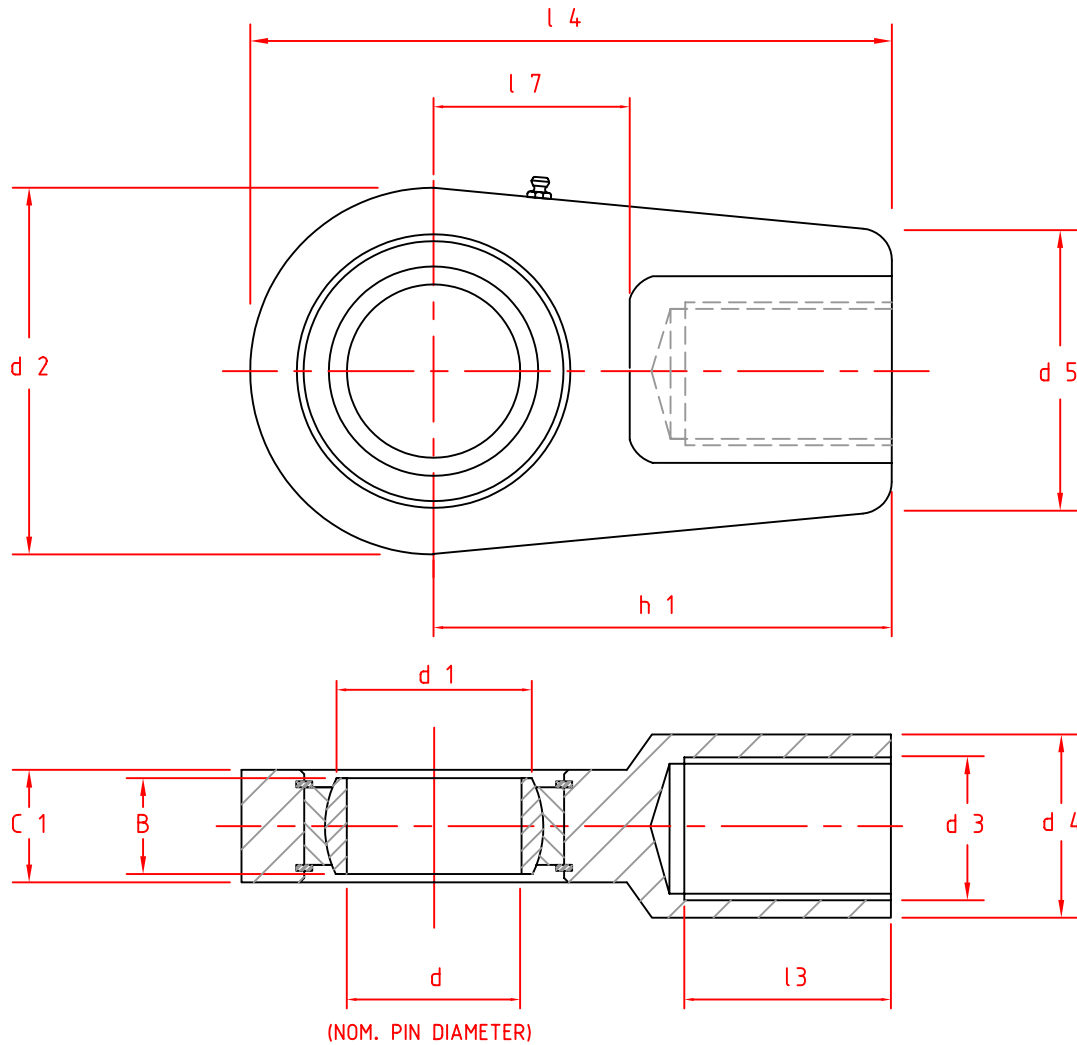
KNUCKLE PIN (KP)



CLEVIS PIN (CP)

CYLINDER SIZE	EE ROD	GG THREAD	AP	DD	J	CF	JA	YA	YJ	YL	YK	Z RAD	YS	YQ	YN
HR/HSH 15 1.50" BORE	0.875 22.22	3/4" - 16UN	1.125 28.57	0.50 12.70	1.875 47.63	1.00 25.40	0.375 9.53	0.875 22.22	1.00 25.40	1.75 44.45	1.625 41.27	0.50 12.70	2.25 57.15	2.375 60.33	7/64 2.78
HR/HSH 20 2.00" BORE	1.00 25.40	3/4" - 16UN	1.125 28.57	0.625 15.88	2.00 50.80	1.25 31.75	0.50 12.70	1.00 25.40	1.25 31.75	2.25 57.15	2.00 50.80	0.625 15.88	2.75 69.85	3.00 76.20	7/64 2.78
HR/HSH 25 2.50" BORE	1.375 34.92	1" - 14UN	1.625 41.28	0.75 19.05	2.75 69.85	1.50 38.10	0.562 14.27	1.125 28.57	1.50 38.10	2.625 66.68	2.25 57.15	0.75 19.05	3.00 76.20	3.375 85.73	7/64 2.78
HR/HSH 30 3.00" BORE	1.75 44.45	1 1/4" - 12UN	2.00 50.80	1.00 25.40	3.375 85.73	2.00 50.80	0.625 15.88	1.375 34.93	1.875 47.63	3.125 79.37	2.625 66.68	1.00 25.40	3.375 85.73	3.875 98.43	5/32 3.97
HR/HSH 35 3.50" BORE	1.75 44.45	1 1/4" - 12UN	2.00 50.80	1.00 25.40	3.375 85.73	2.00 50.80	0.625 15.88	1.375 34.93	1.875 47.63	3.125 79.37	2.625 66.68	1.00 25.40	3.375 85.73	3.875 98.43	5/32 3.97
HR/HSH 40 4.00" BORE	2.00 50.80	1 1/2" - 12UN	2.25 57.15	1.25 31.75	3.875 98.43	2.50 63.50	0.875 22.22	1.75 44.45	2.375 60.33	4.125 104.78	3.50 88.90	1.25 31.75	4.25 107.95	4.875 123.83	5/32 3.97
HR/HSH 45 4.50" BORE	2.00 50.80	1 1/2" - 12UN	2.25 57.15	1.25 31.75	3.875 98.43	2.50 63.50	0.875 22.22	1.75 44.45	2.375 60.33	4.125 104.78	3.50 88.90	1.25 31.75	4.25 107.95	4.875 123.83	5/32 3.97
HR/HSH 50 5.00" BORE	2.50 63.50	1 3/4" - 12UN	3.00 76.20	1.75 44.45	5.25 133.35	3.50 88.90	1.00 25.40	2.00 50.80	2.75 69.85	4.75 120.65	4.00 101.60	1.75 44.45	4.75 120.65	5.50 139.70	5/32 3.97
HR/HSH 55 5.50" BORE	2.50 63.50	1 3/4" - 12UN	3.00 76.20	1.75 44.45	5.25 133.35	3.50 88.90	1.00 25.40	2.00 50.80	2.75 69.85	4.75 120.65	4.00 101.60	1.75 44.45	4.75 120.65	5.50 139.70	5/32 3.97
HR/HSH 60 6.00" BORE	3.00 76.20	2 1/4" - 12UN	3.50 88.90	2.00 50.80	6.00 152.40	4.00 101.60	1.25 31.75	2.375 60.33	3.25 82.55	5.75 146.05	4.875 123.83	2.00 50.80	6.00 152.40	6.75 171.45	7/32 5.56
HR/HSH 65 6.50" BORE	3.00 76.20	2 1/4" - 12UN	3.50 88.90	2.00 50.80	6.00 152.40	4.00 101.60	1.25 31.75	2.375 60.33	3.25 82.55	5.75 146.06	4.875 123.83	2.00 50.80	6.00 152.40	6.75 171.45	7/32 5.56
HR/HSH 70 7.00" BORE	3.50 88.90	2 1/2" - 12UN	3.50 88.90	2.50 63.50	6.50 165.10	5.00 127.00	1.375 34.93	2.625 66.68	3.75 95.25	6.50 165.10	5.375 136.53	2.50 63.50	6.50 165.10	7.50 190.50	7/32 5.56
HR/HSH 75 7.50" BORE	3.50 88.90	2 1/2" - 12UN	3.50 88.90	2.50 63.50	6.50 165.10	5.00 127.00	1.375 34.93	2.625 66.68	3.75 95.25	6.50 165.10	5.375 136.53	2.50 63.50	6.50 165.10	7.50 190.50	7/32 5.56
HR/HSH 80 8.00" BORE	4.00 101.60	3" - 12UN	4.00 101.60	3.00 76.20	7.50 190.50	6.00 152.40	1.50 38.10	3.125 79.38	4.25 107.95	7.25 184.15	6.125 155.58	3.00 76.20	7.50 190.50	8.50 215.90	9/32 7.14
HR/HSH 90 9.00" BORE	4.50 114.30	3" - 12UN	4.00 101.60	3.50 88.90	8.00 203.20	7.00 177.80	2.00 50.80	4.00 101.60	4.50 114.30	8.50 215.90	8.00 203.20	3.50 88.90	9.50 241.30	9.75 247.65	9/32 7.14
HR/HSH 100 10.00" BORE	5.00 127.00	3 3/4" - 12UN	4.375 111.13	3.50 88.90	8.50 215.90	7.00 177.80	2.00 50.80	4.00 101.60	5.00 127.00	9.00 228.60	8.00 203.20	3.50 88.90	9.50 241.30	10.25 260.35	9/32 7.14

ROD KNUCKLE WITH SPHERICAL BEARING (RKSb)



CYLINDER SIZE	EE ROD	PART NUMBER	d3 THREAD	d	d 1	d 2	d 4	d 5	B	C 1	h 1	l 3	l 4	l 7
HR/HSH 15 1.50" BORE	0.875 22.22	RKSB20	M16x1.5	20mm	0.949 24.1	2.205 56.0	0.984 25.0	1.614 41.0	0.630 16.0	0.748 19.0	1.969 50.0	0.669 17.0	3.071 78.0	0.984 25.0
HR/HSH 20 2.00" BORE	1.00 25.40	RKSB20	M16x1.5	20mm	0.949 24.1	2.205 56.0	0.984 25.0	1.614 41.0	0.630 16.0	0.748 19.0	1.969 50.0	0.669 17.0	3.071 78.0	0.984 25.0
HR/HSH 25 2.50" BORE	1.375 34.92	RKSB25	M16x1.5	25mm	1.154 29.3	2.205 56.0	0.984 25.0	1.614 41.0	0.787 20.0	0.906 23.0	1.969 50.0	0.669 17.0	3.071 78.0	0.984 25.0
HR/HSH 30 3.00" BORE	1.75 44.45	RKSB30	M22x1.5	30mm	1.346 34.2	2.520 64.0	1.260 32.0	1.811 46.0	0.867 22.0	1.102 28.0	2.362 60.0	0.906 23.0	3.622 92.0	1.181 30.0
HR/HSH 35 3.50" BORE	1.75 44.45	RKSB30	M22x1.5	30mm	1.346 34.2	2.520 64.0	1.260 32.0	1.811 46.0	0.867 22.0	1.102 28.0	2.362 60.0	0.906 23.0	3.622 92.0	1.181 30.0
HR/HSH 40 4.00" BORE	2.00 50.80	RKSB35	M28x1.5	35mm	1.563 39.7	3.071 78.0	1.575 40.0	2.283 58.0	0.984 25.0	1.181 30.0	2.756 70.0	1.142 29.0	4.291 109.0	1.496 38.0
HR/HSH 45 4.50" BORE	2.00 50.80	RKSB35	M28x1.5	35mm	1.563 39.7	3.071 78.0	1.575 40.0	2.283 58.0	0.984 25.0	1.181 30.0	2.756 70.0	1.142 29.0	4.291 109.0	1.496 38.0
HR/HSH 50 5.00" BORE	2.50 63.50	RKSB40	M35x1.5	40mm	1.772 45.0	3.701 94.0	1.929 49.0	2.598 66.0	1.102 28.0	1.378 35.0	3.346 85.0	1.417 36.0	5.197 132.0	1.772 45.0
HR/HSH 55 5.50" BORE	2.50 63.50	RKSB40	M35x1.5	40mm	1.772 45.0	3.701 94.0	1.929 49.0	2.598 66.0	1.102 28.0	1.378 35.0	3.346 85.0	1.417 36.0	5.197 132.0	1.772 45.0
HR/HSH 60 6.00" BORE	3.00 76.20	RKSB50	M45x1.5	50mm	2.201 55.9	4.567 116.0	2.402 61.0	3.465 88.0	1.378 35.0	1.575 40.0	4.134 105.0	1.811 46.0	6.417 163.0	2.165 55.0
HR/HSH 65 6.50" BORE	3.00 76.20	RKSB50	M45x1.5	50mm	2.201 55.9	4.567 116.0	2.402 61.0	3.465 88.0	1.378 35.0	1.575 40.0	4.134 105.0	1.811 46.0	6.417 163.0	2.165 55.0
HR/HSH 70 7.00" BORE	3.50 88.90	RKSB60	M58x1.5	60mm	2.630 66.8	5.118 130.0	2.953 75.0	3.543 90.0	1.732 44.0	1.969 50.0	5.118 130.0	2.323 59.0	7.874 200.0	2.559 65.0
HR/HSH 75 7.50" BORE	3.50 88.90	RKSB60	M58x1.5	60mm	2.630 66.8	5.118 130.0	2.953 75.0	3.543 90.0	1.732 44.0	1.969 50.0	5.118 130.0	2.323 59.0	7.874 200.0	2.559 65.0
HR/HSH 80 8.00" BORE	4.00 101.60	RKSB80	M80x2.0	80mm	3.520 89.4	6.929 176.0	4.016 102.0	5.748 125.0	2.165 55.0	2.362 60.0	6.693 170.0	3.189 81.0	9.134 232.0	3.150 80.0
HR/HSH 90 9.00" BORE	4.50 114.30	RKSB100	M100x2.0	90mm	3.862 98.1	8.110 206.0	4.882 124.0	5.748 146.0	2.362 60.0	2.559 65.0	8.268 210.0	3.976 101.0	12.717 323.0	3.543 90.0
HR/HSH 100 10.00" BORE	5.00 127.00	RKSB100	M110x2.0	100mm	4.311 109.5	9.055 230.0	5.433 138.0	6.535 166.0	2.756 70.0	2.756 70.0	9.252 235.0	4.370 111.0	14.173 360.0	4.134 105.0