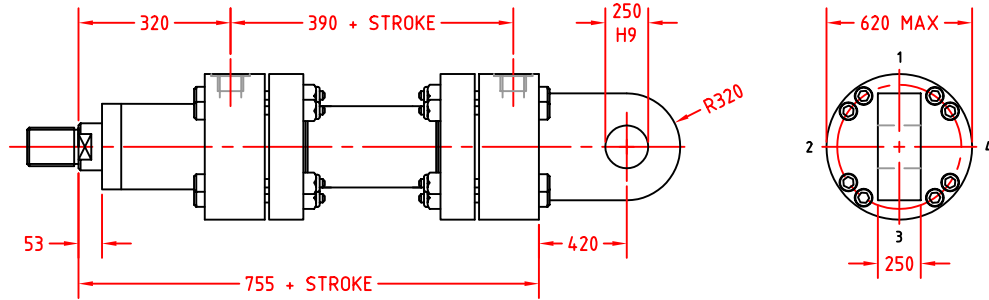
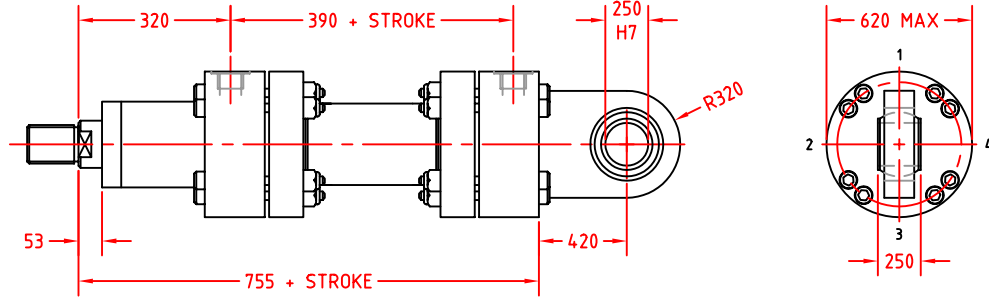


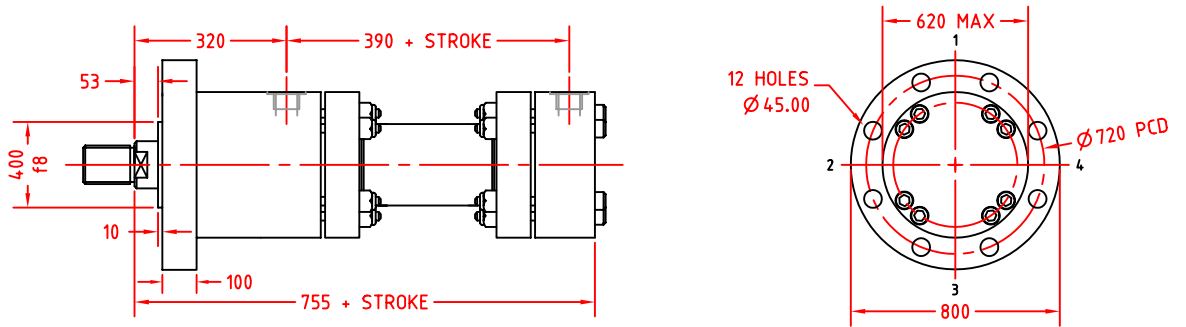
CAP FIXED EYE
MOUNTING STYLE
MP3



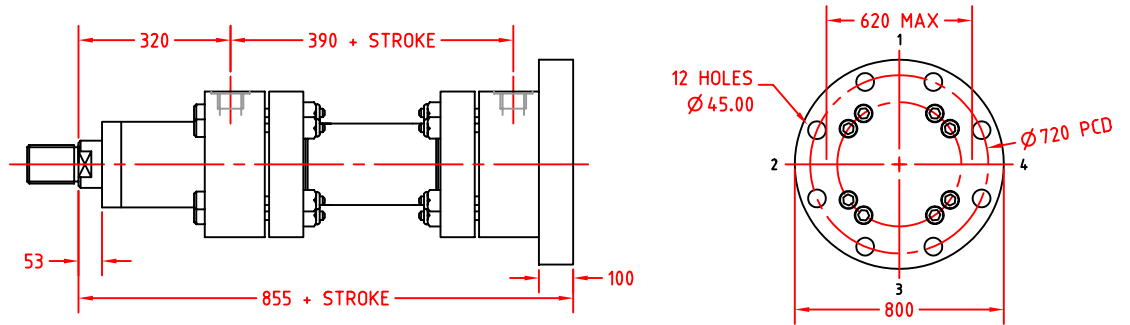
CAP SPHERICAL EYE
MOUNTING STYLE
MP5



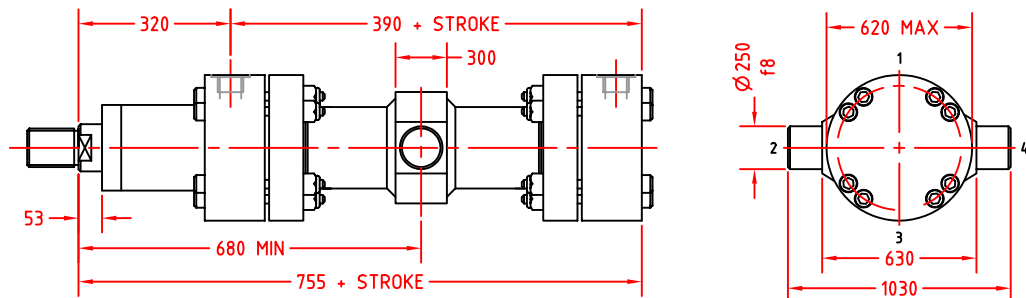
HEAD CIRCULAR FLANGE
MOUNTING STYLE
MF3



CAP CIRCULAR FLANGE
MOUNTING STYLE
MF4

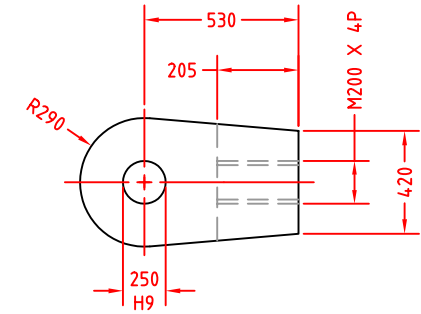


INTERMEDIATE TRUNNION
MOUNTING STYLE
MT4

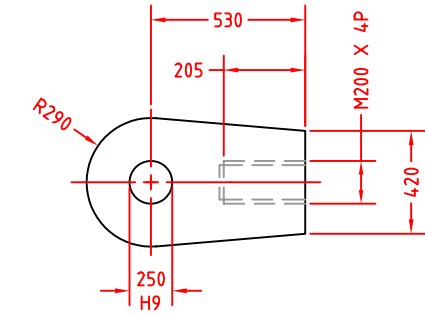


FOOT MOUNTING
MOUNTING STYLE
FM

NOT RECOMMENDED FOR USE WITH 400MM BORE CYLINDERS

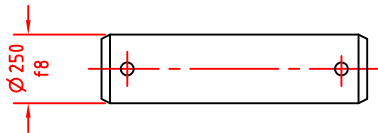


ROD CLEVIS
RC

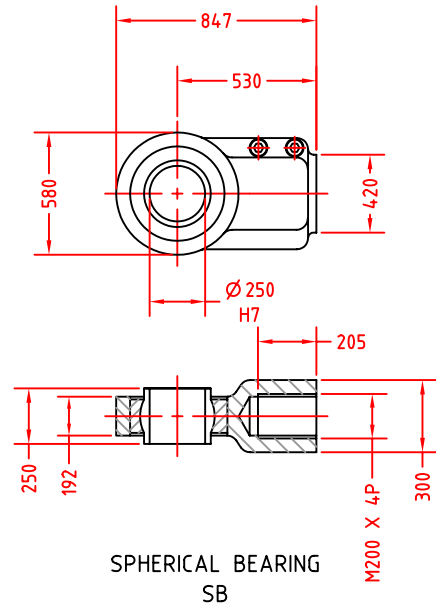


ROD KNUCKLE
RK

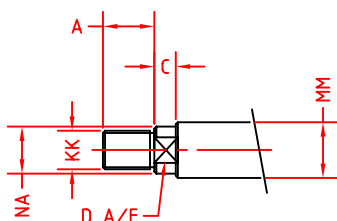
OVERALL LENGTH & RETAINING METHOD
TO SUIT APPLICATION



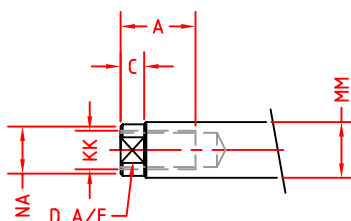
CLEVIS PIN
CP



SPHERICAL BEARING
SB



THREAD STYLE "M"



THREAD STYLE "F"

PISTON ROD DIMENSIONS

ROD	TYPE 1	TYPE 2
MM	Ø 250.00	Ø 280.00
NA	Ø 249.00	Ø 279.00
KK	M200 x 4P	M200 x 4P
A	200.00	200.00
D	230.00 A/F	260.00 A/F
C	50	50

PORT CONNECTIONS

TYPE - 01	2" BSPP
TYPE - 02	M60 x 2P